

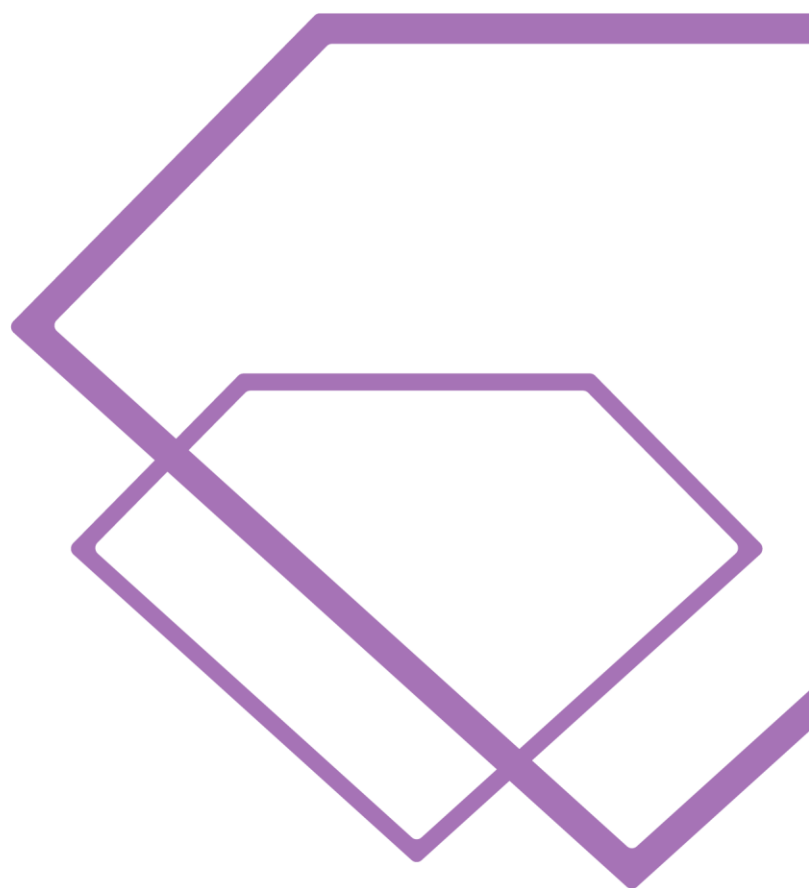
中国高端电脑缝纫机

CHINESE HIGH-END COMPUTERIZED SEWING MACHINE

HIKARI® 富山

零件手册

PARTS BOOK



H93S 系列
Series

电脑平缝机 (电脑数字化)

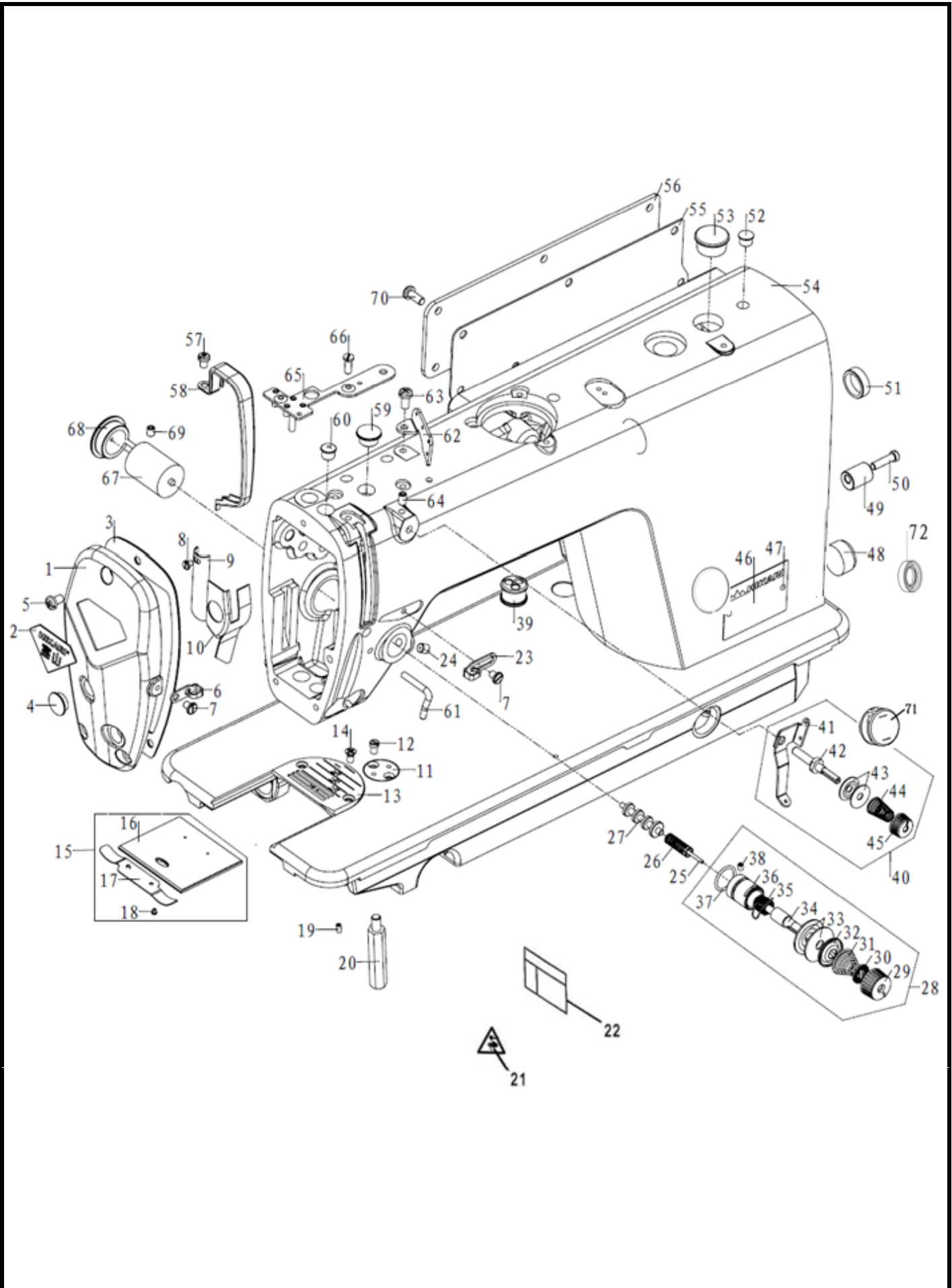
THE UPDATE OF STEPPER MOTOR, SHORT THREAD
TYPE AND NO NEED TRIMMING AGAIN

V1.00

目录/Contents

1. 机壳部件 /Machine frame&miscellaneous cover com.onents	1
2. 上轴·挑线部件/Main shaft&Thread take-u. lever com.onents	5
3. 针杆·竖轴·下轴部件/Needle bar,u.right shaft&hook driving shaft com.onents.....	7
4. 压杆部件/Hand lifter com.onents.....	9
5. 送料部件/Feed mechanism com.onents.....	11
6. 自动切线/Thread trimmer com.onents.....	13
7. 自动倒缝部件/Automatic reverse feed com.onents.....	15
8. 驱动部件/Driver com.onents.....	16
9. 润滑·绕线部件/Oil lublication com.onents&bobbin com.onents.....	17
10. 油盘部件/Oil reservoir com.onents.....	19
11. 附件/Accessories.....	21
12. 电磁抬压脚装置(选购件).....	23

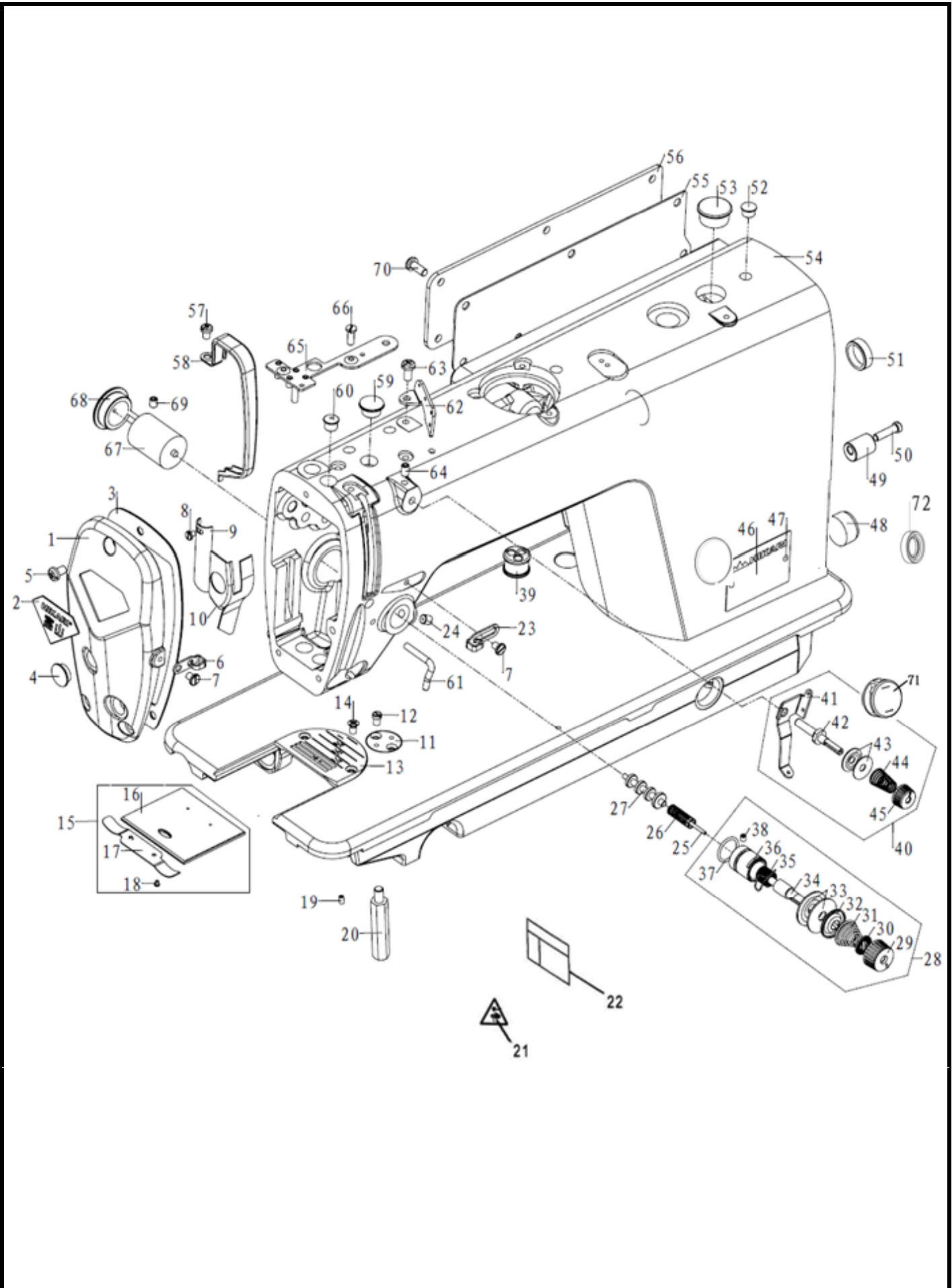
1.机壳部件/Machine frame&miscellaneous cover components



1.机壳部件/Machine frame&miscellaneous cover components

序号 Ref.No	图号 Part. No	零件名称	Name of parts	数量Qty		
				H93SF-7D-5	H93S-7D-5	H93SH-7D-5
1	132.01-02	面板	Plate	1		
2	130.01-13	钻石形面板贴	Plate stick	1		
3	132.01-03	面板垫	Plate agsket	1		
4	22-12404016	面板孔塞 φ12.4x4xφ16	Rubber plug	2		
5	01-405000823-1	螺钉M5×12	Screw	3		
6	101.01-32	左线钩	Arm thread guide Left	1		
7	02-611400621-1	螺钉 SM11/64x40x6	Screw	2		
8	02-608440421-1	螺钉 SM1/8x44x4	Screw	1		
9	102.01-04-01	面板防油板	Anti-oil plate	1		
10	101.01-04-02	面板防油板油线	Oil wick	1		
11	103.01-11	定位座	Ruler stopper	1		
12	01-404000623-1	螺钉 SM11/64x40x6	Screw	1		
13	132.01-44	针板		1		
	130.01-44	针板	Throat plate		1	
	116.01-44	针板				1
14	02-211400823-1	针板螺钉 SM11/64x40x8	Screw	2		
15	101.01-46	推板组件	Slide plate asm.	1		
16	101.01-46-01	推板	Slide plate	1		
17	101.01-46-02	推板簧	Bed slide spring	1		
18	02-606560221-3	螺钉 SM3/32x56x2	Screw	2		
20	128.01-09	底板支柱	Bed screw stud	2		
21	201.02-10	安全指示牌	Safety lable	1		
22	101.01-13	安全指示牌	Safety lable	1		
23	101.01-25	右线钩	Arm thread guide Right	1		
24	02-815281551-1	螺钉 SM15/64x28x15	Screw	1		
25	101.01-27	松线钉	Loose lire nail	1		
26	101.04-24	松线辅钉弹簧	Loose wire nail spring	1		
27	102.04-26	松线顶销	Loose lire pin	1		
28	101.01-27	夹线器组件	Thread tension asm.	1		
	116.01-27	夹线器组件	Thread tension asm.			1
29	101.01-27-01	夹线螺母	Tension nut	1		
30	101.01-27-02	夹线制动板	Rotating stopper	1		
31	101.01-27-03	夹线簧	Tension spring	1		
	114.09-01-01	夹线簧	Tension spring			1
32	101.01-27-04	松线板	Thread tension disk presser	1		
33	101.01-27-05	夹线板	Thread tension disk	2		
34	101.01-27-06	夹线螺钉	Tension post	1		
35	101.01-27-07	挑线簧	Take-up spring	1		
	116.01-27-07	挑线簧	Take-up spring			1
36	101.01-27-09	挑线簧调节座	Tension post socket	1		
37	12-137160	O型圈 φ13.7xφ1.6	Rubber ring	1		
38	02-909400421-1	螺钉 SM9/64x40x4	Screw	1		
39	130.01-26	导线过线套	Rubber plug	1		
40	130.01-31	调线夹线器组件	Thread tension asm.	1		

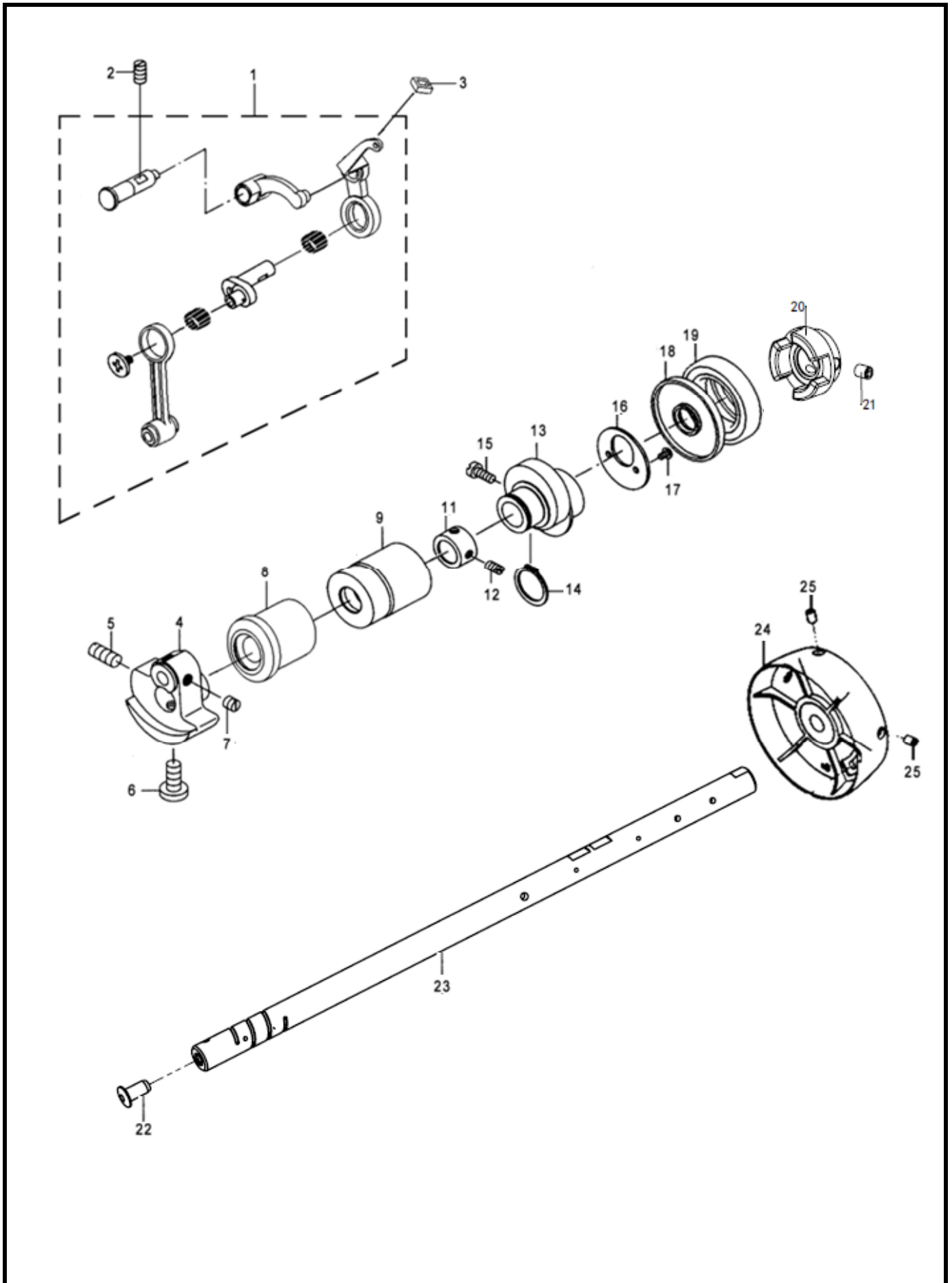
1.机壳部件/Machine frame&miscellaneous cover components



1.机壳部件/Machine frame&miscellaneous cover components

序号 Ref.No	图号 Part. No	零件名称	Name of parts	数量Qty		
				H93SF- 7D-5	H93S- 7D-5	H93SH- 7D-5
41	110.01-23G	调线过线板	Thread tension guide	1		
42	110.01-21-01G	调线夹线螺钉	Thread tension post	1		
43	101.01-21-03	小夹线板	Thread tension disk	2		
44	101.01-21-04	小夹线簧	Thread tension spring	1		
45	101.01-21-05	小夹线螺母	Thread tension nut	1		
46	H0-004	综合型号牌	Model plate	1		
47	17-3200500-5	型号牌铆钉	Pole	2		
48	22-20809024	橡皮塞 $\phi 20.8 \times 9 \times \phi 23.5$	Rubber plug	1		
49	102.01-18	倒送料扳手定位套	Reverse feed lever stopper	1		
50	02-512321821-1	螺钉 SM3/16x32x18	Screw	1		
51	22-20006000	密封垫	Rubber plug	1		
52	22-08506011	孔塞 $\phi 8.5 \times 6 \times \phi 10.5$	Rubber plug	4		
53	22-20809024	橡皮塞 $\phi 20.8 \times 9 \times \phi 23.5$	Rubber plug	1		
54	136.01-01	机壳组件	Machine cover	1		
55	130.01-25	后窗板密封垫	Gasket	1		
56	130.01-24	后窗板	Side plate	1		
57	01-405000623-1	螺钉M5×6	Screw	1		
58	101.01-23G	挑线杆防护罩	Thread take-up lever cover	1		
59	22-12507017	孔塞 $\phi 12.5 \times 7 \times \phi 17$	Rubber plug	1		
60	22-08506511	孔塞 $\phi 8.5 \times 6.5 \times \phi 10.5$	Rubber plug	1		
61	421.12-29	缓线调节钩	Presser bar thread guide	1		
62	110.01-07	面线过线板	Spool pin	1		
63	01-405000623-1	螺钉M5×6	Screw	1		
64	01-805000814-1	螺钉M5x8	Screw	1		
65	128.02-05	油线支架组件	oil line support	1		
66	02-309401122-1	十字槽圆头螺钉	Screw	2		
67	SD-39	松线电磁铁	Loose wire electromagnet	1		
68	22-25007030	橡胶塞	Rubber plug	1		
69	01-805000614-1	螺钉M5x6	Screw	1		
70	01-405001223-1	螺钉M5x12	Screw	12		
71	103.08-59	油量视窗	Fuel volume window	1		
72	13-07270220	骨架油封7.2×7×22	Skeleton oil seal	1		

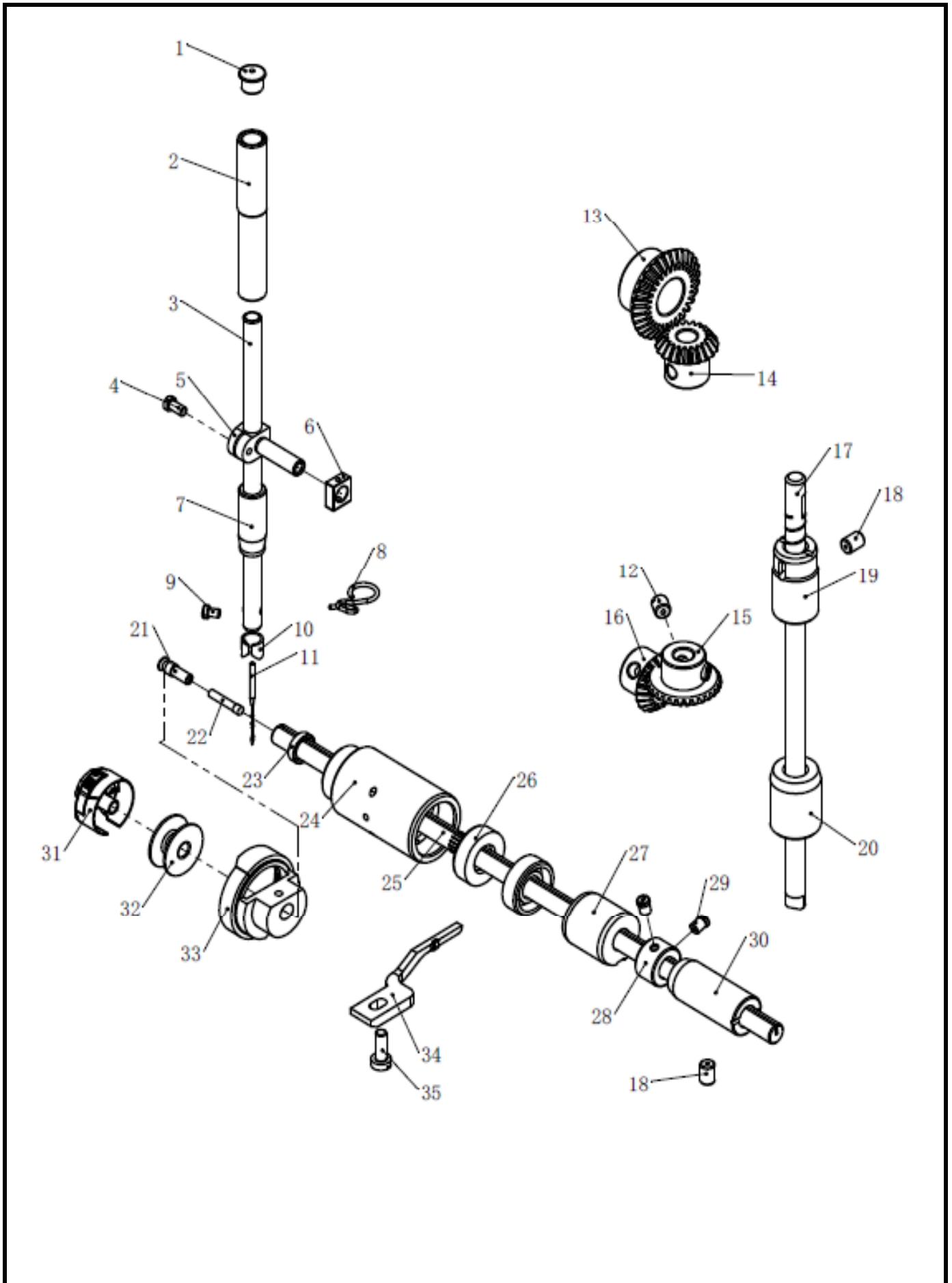
2.上轴·挑线部件/Main shaft&Thread take-up lever components



2.上轴·挑线部件/Main shaft&Thread take-up lever components

序号 Ref.No	图号 Part. No	零件名称	Name of parts	数量Qty		
				H93SF- 7D-5	H93S- 7D-5	H93SH- 7D-5
1	128.02-04	挑线杆大组件	Thread take-up lever big asm	1		
2	02-815281014-1	螺钉 SM15/64x28x11	Screw	1		
3	101.02-05	橡皮套	Rubber	1		
4	102.02-15A	针杆曲柄	Needle bar crank	1		
5	02-818281651-1	螺钉 SM9/32x28x16	Screw	1		
6	02-418281531-1	螺钉 SM9/32x28x15	Screw	1		
7	02-816400611-1	螺钉 SM1/4x40x6	Screw	2		
8	101.02-19	上轴前轴套	Main shaft front bushing	1		
9	102.02-27	上轴中轴套	Bushing,intermediate	1		
11	102.02-23	上轴挡圈	Collar	1		
12	02-816400811-1	螺钉 SM1/4x40x8	Screw	2		
13	135.02-12-01	送料偏心轮	Feed drive eccentric cam	1		
	124.02-12-01	送料偏心轮	Feed drive eccentric cam			1
14	10-1851320-1	挡圈 φ18.5x1.3	Snap ring	1		
15	02-516401111-1	螺钉 SM1/4x40x11	Screw	2		
16	101.02-32	送料偏心轴盖板	Thrust collar	1		
17	02-209400821-1	螺钉 SM9/64x40x8	Screw	2		
18	13-14550550	上轴油封 φ14.5x5xφ55	Oil seal	1		
19	102.02-44-00	连轴器(1)组件配轴承	Bearing	1		
20	124.02-48	连轴器(2)	Linker(1)	1		
21	01-806750814-1	螺钉 M6x0.75x8	Screw	6		
22	22-07014012	橡胶塞	Rubber plug	1		
23	102.02-38G	上轴	Main shaft	1		
24	128.02-11	手轮组件	Hand wheel	1		
25	02-815281014-1	螺钉 SM15/64x28x10	Screw	2		

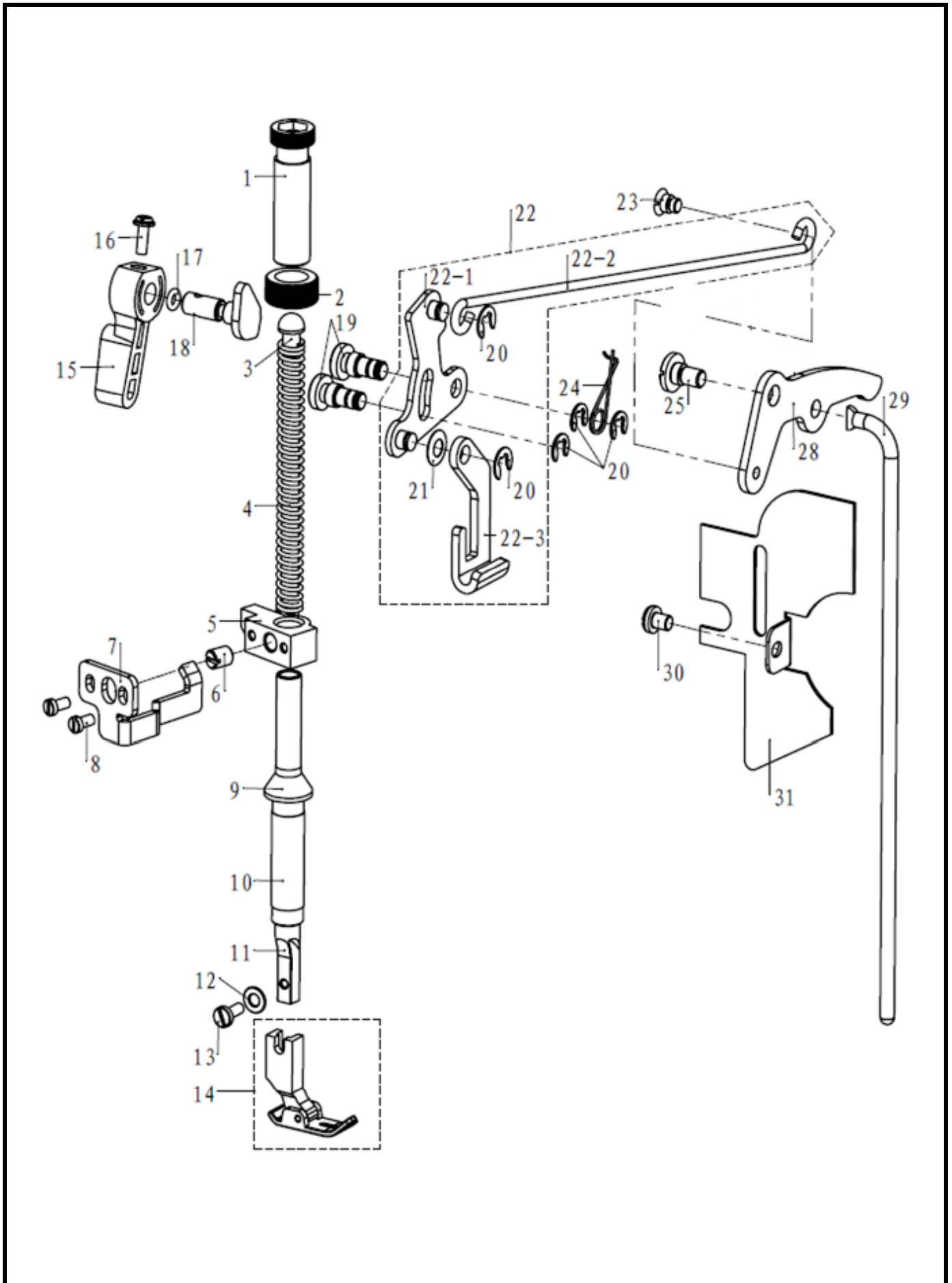
3.针杆·竖轴·下轴部件/Needle bar,upright shaft&hook driving shaft components



3.针杆·竖轴·下轴部件/Needle bar,upright shaft&hook driving shaft components

序号 Ref.No	图号 Part. No	零件名称	Name of parts	数量Qty		
				H93SF- 7D-5	H93S- 7D-5	H93SH- 7D-5
1	22-08506511	橡胶塞 φ8.5x6.5xφ10.5	Cap	1		
2	101.03-02	针杆上套	Needle bar bushing (upper)	1		
3	101.03-03	针杆	Needle bar	1		
	101.13-10A	针杆	Needle bar			1
4	02-509400721-1	螺钉 SM9/64x40x5	Screw	1		
5	102.03-04A	针杆连接柱	Needle rod holder	1		
6	102.03-06A	针杆连接柱滑块	Slide block	1		
7	121.03-08	针杆下套	Needle bar bushing (lower)	1		
	101.13-09	针杆下套	Needle bar bushing (lower)			1
8	101.13-08	针杆下套线钩	Needle bar thread guide	1		
9	02-508440521-1	螺钉 SM1/8x44x5	Screw	1		
10	101.03-10	针杆线钩	Needle bar thread guide	1		
11	101.03-11F	机针	Needle	1		
	101.03-11	机针	Needle			1
	101.12-11-24	机针	Needle			1
12	02-816400711-1	螺钉 SM1/4x40x7	Screw	8		
13	101.03-12	上轴伞齿轮	Conical gear	1		
14	101.03-14	竖轴上伞齿轮	Conical gear	1		
15	122.03-16	竖轴下伞齿轮	Gear	1		
16	101.03-18	下轴伞齿轮	Conical gear	1		
17	101.03-20	竖轴	Upright shaft	1		
18	02-815280814-1	螺钉 SM15/64x28x8	Screw	2		
19	101.03-21	竖轴上轴套	Upright shaft bushing (upper)	1		
20	101.03-23	竖轴下轴套	Upright shaft bushing (lower)	1		
21	136.09-03	下轴限油螺钉	Oil seal screw	1		
22	101.03-35A	下轴限油芯	Oil wick	1		
23	13-07230120	油封7.2x3x12	Grease seal	1		
24	136.03-02	下轴前轴套	Lower shaft bushing	1		
25	136.03-01	下轴	Lower shaft	1		
26	13-07270220	油封7.2x7x22	Grease seal	2		
27	130.03-03	下轴中轴套	Bushing (intermediate)	1		
28	101.03-26	下轴挡圈	Thrust collar	1		
29	02-511400511-1	螺钉 SM11/64x40x5	Screw	2		
30	101.03-24	下轴后轴套	Bushing rear	1		
31	122.03-37-02	梭壳	Bobbin case	1		
32	101.03-37-02	梭心	Bobbin	1		
33	136.03-03	旋梭	Hook	1		
	101.03-36-08	旋梭	Hook			1
34	108.07-14	旋梭定位钩	Bobbin case holder	1		
	104.07-14	旋梭定位钩	Bobbin case holder			1
35	02-511401221-1	螺钉 SM11/64x40x12	Screw	1		

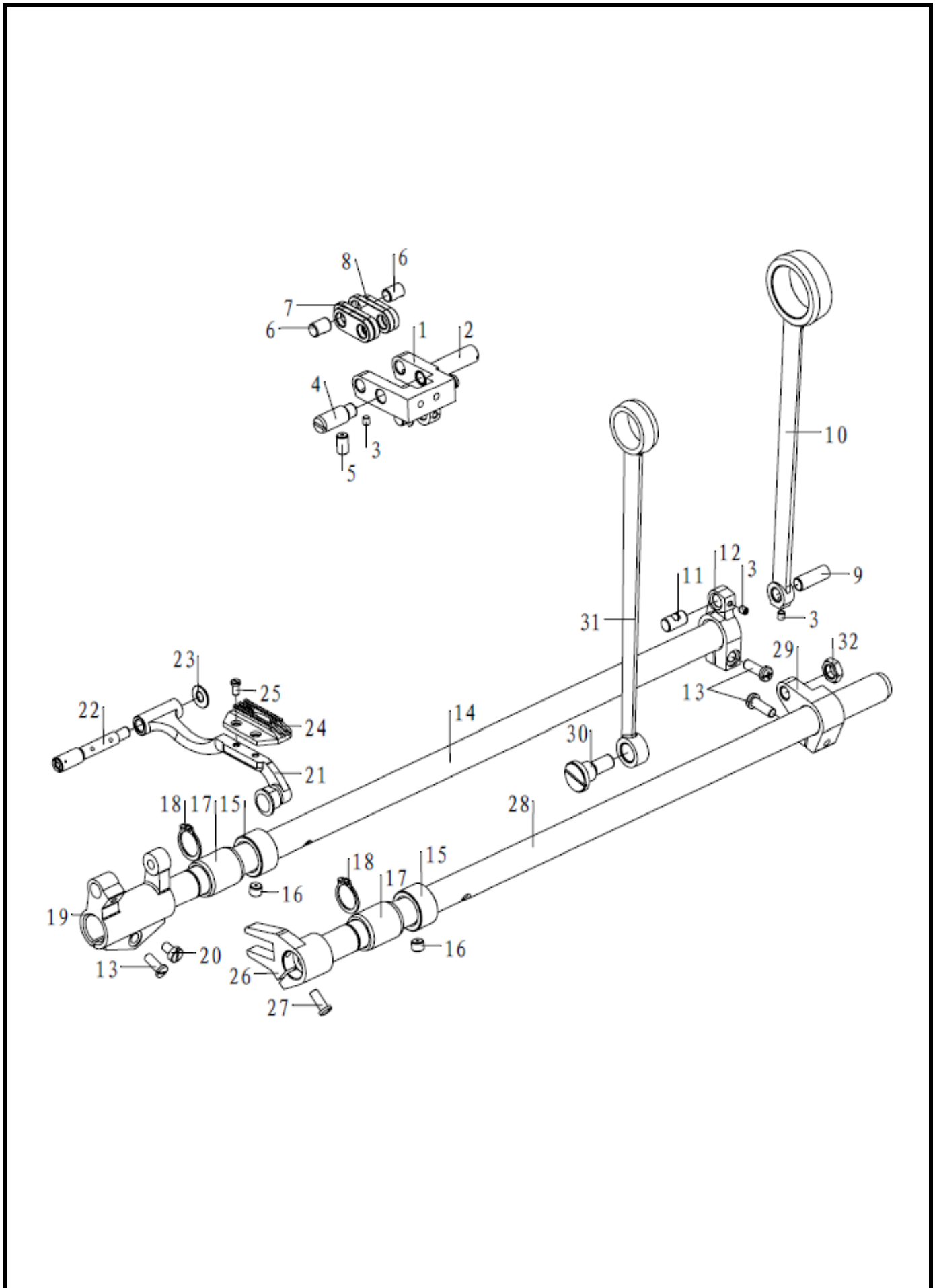
4.压杆部件/Hand lifter components



4.压杆部件/Hand lifter components

序号 Ref.No	图号 Part. No	零件名称	Name of parts	数量Qty		
				H93SF- 7D-5	H93S- 7D-5	H93SH- 7D-5
1	101.04-32	调压螺钉	Presser spring regulator	1		
2	101.04-31	调压螺母	Presser adjusting screw nut	1		
3	101.04-40	调压导杆	Presser guide bar	1		
4	101.04-33	调压簧	Presser adjusting spring	1		
	101.13-12	调压簧	Presser adjusting spring			1
5	101.04-34	压杆导架	Presser bar guide bracket	1		
6	02-816400811-1	螺钉 SM1/4x40x8	Screw	1		
7	130.04-31	松线板	Thread tension disk presser	1		
8	02-509400721-1	螺钉	Screw	2		
9	101.04-41	防油伞	Rubber	1		
10	101.04-05	压杆轴套	Presser bar bushing	1		
11	101.04-35	压杆	Presser bar	1		
12	05-043080900-1	平垫片φ4.3x0.8xφ9	Washer	1		
13	02-509401021-1	螺钉 SM9/64x40x11	Screw	1		
14	132.04-09	活压脚组件	Presser foot asm.	1		
	101.04-09A	活压脚组件	Presser foot asm.		1	
	116.04-09	活压脚组件	Presser foot asm.			1
15	101.04-01	压脚扳手	Hand lifter	1		
16	19-409401023-1	螺钉 SM9/64x40x10	Screw	1		
17	12-038180	O型圈 φ3.8xφ1.8	Rubber ring	1		
18	101.04-04	压脚扳手凸轮组件	Hand lifter cam asm.	1		
19	102.04-07	前杠杆螺纹销	Link shaft	2		
20	06-0500810-1	开口挡圈 φ5xφ10x0.8	E-ring	5		
21	09-0600312-1	蝶形垫圈 φ6xφ12x0.3	Butterfly washer	1		
22	101.04-39	前杠杆组件	Knee lifting cross rod asm.	1		
22-1	101.04-39-01	抬压脚前杠杆小组件	Hand lifter link asm.	1		
22-2	101.04-39-05	抬压脚拉杆	Knee lifting cross rod	1		
22-3	101.04-39-03	压脚升降板	Lifting lever	1		
23	101.04-11	活压脚压杆螺钉	Hinge screw	1		
24	130.04-34	前杠杆复位簧	Front lever reset spring	1		
25	101.04-12	后杠杆轴位螺钉	Hinge screw	1		

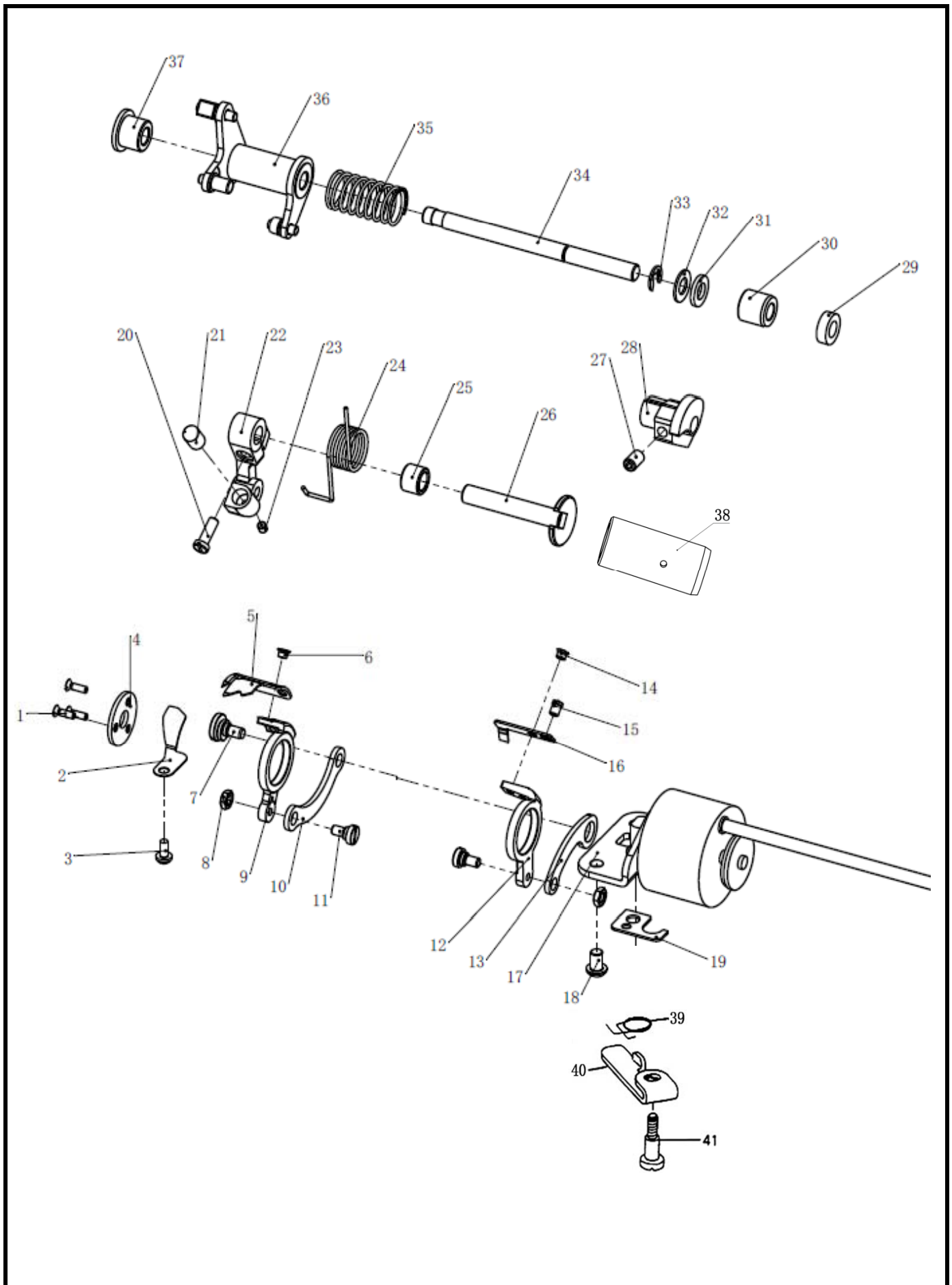
5.送料部件/Feed mechanism components



5.送料部件/Feed mechanism components

序号 Ref.No	图号 Part. No	零件名称	Name of parts	数量Qty		
				H93SF- 7D-5	H93S- 7D-5	H93SH- 7D-5
1	126.05-27-01	摆动板座组件	Feed adjust link asm.	1		
2	102.05-28-01	摆动板座销钉(长)	Adjusting link fulcrum shaft	1		
3	02-809400424-1	螺钉 SM9/64x40x4	Screw	4		
4	101.05-28	摆动板座销钉(短)	Adjusting link fulcrum shaft	1		
5	02-815281014-1	螺钉 SM15/64x28x11	Screw	2		
6	101.05-24	短摆动板连接销	Walking foot short pin	2		
7	101.05-25	送料长摆动板	Connecting link long pin	2		
8	101.05-26	送料短摆动板	Connecting link short pin	2		
9	101.05-13	送料连杆销	Walking foot long pin	1		
10	101.05-12	送料连杆	Rocker shaft connecting rod	1		
11	101.05-40	送料曲柄销	Walking foot middle pin	1		
12	101.05-43	送料曲柄	Feed rocker shaft crank	1		
	101.05-44	送料曲柄	Feed rocker shaft crank		1	
13	02-412281423-1	螺钉 SM3/16x28x14	Screw	3		
14	101.05-39	送料轴	Feek rocker shaft	1		
15	101.02-17	上轴挡圈	Thrust collar	2		
16	02-816400514-1	螺钉 SM1/4x40x5	Screw	4		
17	101.05-51A	送料轴前轴套	Feed rocker shaft bushing	2		
18	10-1381017-1	轴用弹性挡圈 $\phi 13.8 \times 1$	Retaining ring	2		
19	101.05-55	牙架座	Feed bar crank	1		
20	02-511400721-1	螺钉 SM11/64x40x7	Screw	1		
21	101.05-35	牙架组件	Feed bar asm.	1		
22	101.05-31	牙架销	Feed bar shaft pin	1		
23	05-051081203-5	垫圈 $\phi 5.1 \times 0.8 \times \phi 12$	Washer	1		
24	130.05-33	送料牙	Feed dog	1		
	110.05-33 (1.15)	送料牙	Feed dog		1	
	116.05-34	送料牙	Feed dog		1	
25	02-608440621-1	螺钉 SM1/8x44x6	Screw	2		
26	101.05-57	抬牙叉曲柄	Driving shaft crank	1		
27	02-411401121-1	螺钉 SM11/64x40x11	Screw	1		
28	101.05-48	抬牙轴	Feed driving shaft	1		
29	101.05-45	抬牙后曲柄	Lifting crank (back)	1		
30	101.05-47	螺钉	Hinge screw	1		
31	101.05-15	抬牙连杆	Connecting rod	1		
32	04-618280400-1	螺母 SM9/32x28x4	Nut	1		

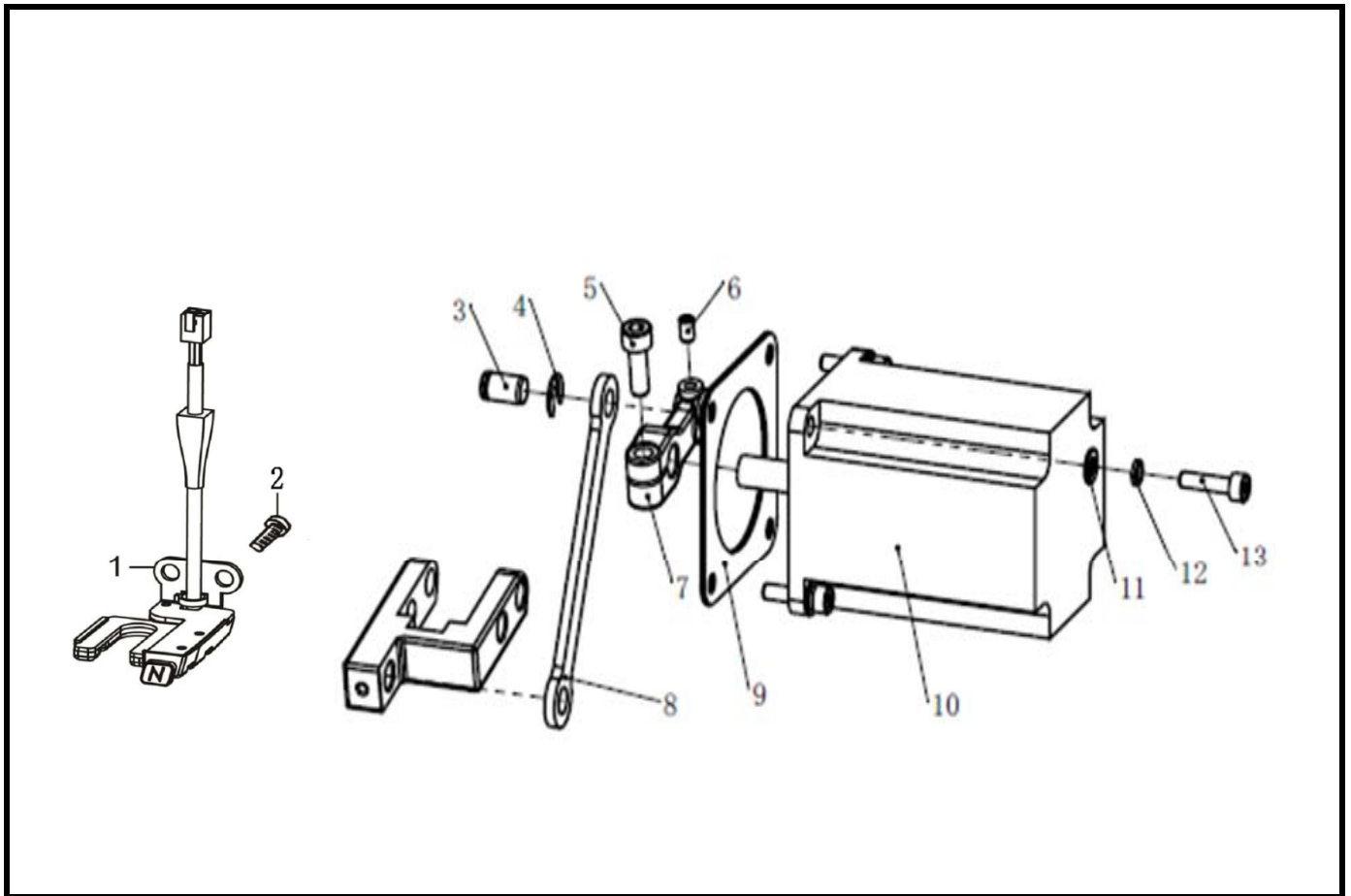
6.自动切线/Thread trimmer components



6.自动切线/Thread trimmer components

序号 Ref.No	图号 Part. No	零件名称	Name of parts	数量Qty		
				H93SF- 7D-5	H93S- 7D-5	H93SH- 7D-5
1	01-103001021-1	螺钉	Screw	3		
2	130.06-23	分线器	Protect needle patch	1		
3	19-509400821-1	螺钉	Screw	1		
4	103.11-13	切线架压板	Partiality shank	1		
5	130.06-33	下切刀	Knife U	1		
	116.06-02	活动刀	Knife			1
6	02-111400524-1	螺钉	Screw	2		
7	130.06-37	偏心销	Shaft pin	1		
8	04-611400300-1	六角螺母	Nut	2		
9	130.06-34	下切刀架	Knife bracket	1		
10	102.06-15	刀轴连杆	Knife shaft connecting rod	1		
11	130.06-36	连杆螺钉	Screw	1		
12	130.06-31	上切刀架	Knife bracket	1		
13	130.06-32	上切刀连杆	Knifeconnecting rod	1		
14	02-111400424-1	螺钉	Screw	1		
15	02-511400621-1	螺钉	Screw	1		
16	130.06-30	上切刀	Knife	1		
	116.06-03N	固定刀	Knife			1
17	QD-39	电磁铁剪线组件	Thread trimmer solenoid	1		
18	02-315280921-1	螺钉	Screw	1		
19	130.06-26	压线片	Washer	1		
20	02-512321524-1	内六角圆柱头螺钉	Screw	1		
21	103.11-09-06G	止动块	Stop block	1		
22	130.06-38	切刀驱动曲柄	Thread shear rock crank	1		
23	01-804000414-1	螺钉M4×6	Screw	1		
24	130.06-26	切线复位簧	Spring	1		
25	102.06-23	驱动曲柄轴短套	Short bush	1		
26	130.06-22	切刀驱动曲柄轴	Thread shear rock arm shaft	1		
27	02-816401014-1	螺钉	Screw	2		
28	134.06-11	切线凸轮	Thread shear rock arm shaft	1		
29	13-08050150	油封D8×D15×5	Grease seal	1		
30	130.06-29	切刀驱动轴套	Axle sleeve	1		
31	136.06-01	电磁铁缓冲垫	Magnetic plug cushion mat	1		
32	05-081101550-1	平垫片	Flat gasket	1		
33	06-0601012-1	挡圈	E-ring	1		
34	130.06-09	切刀驱动轴	Thread shear shaft	1		
35	102.06-32	切线凸轮复位弹簧	Spring	1		
36	102.06-26-1	切线凸轮曲柄	Thread shear rock arm shaft	1		
37	102.06-31	扭簧端盖	Spring cover	1		
38	130.06-35	切线轴套	Axle sleeve	1		

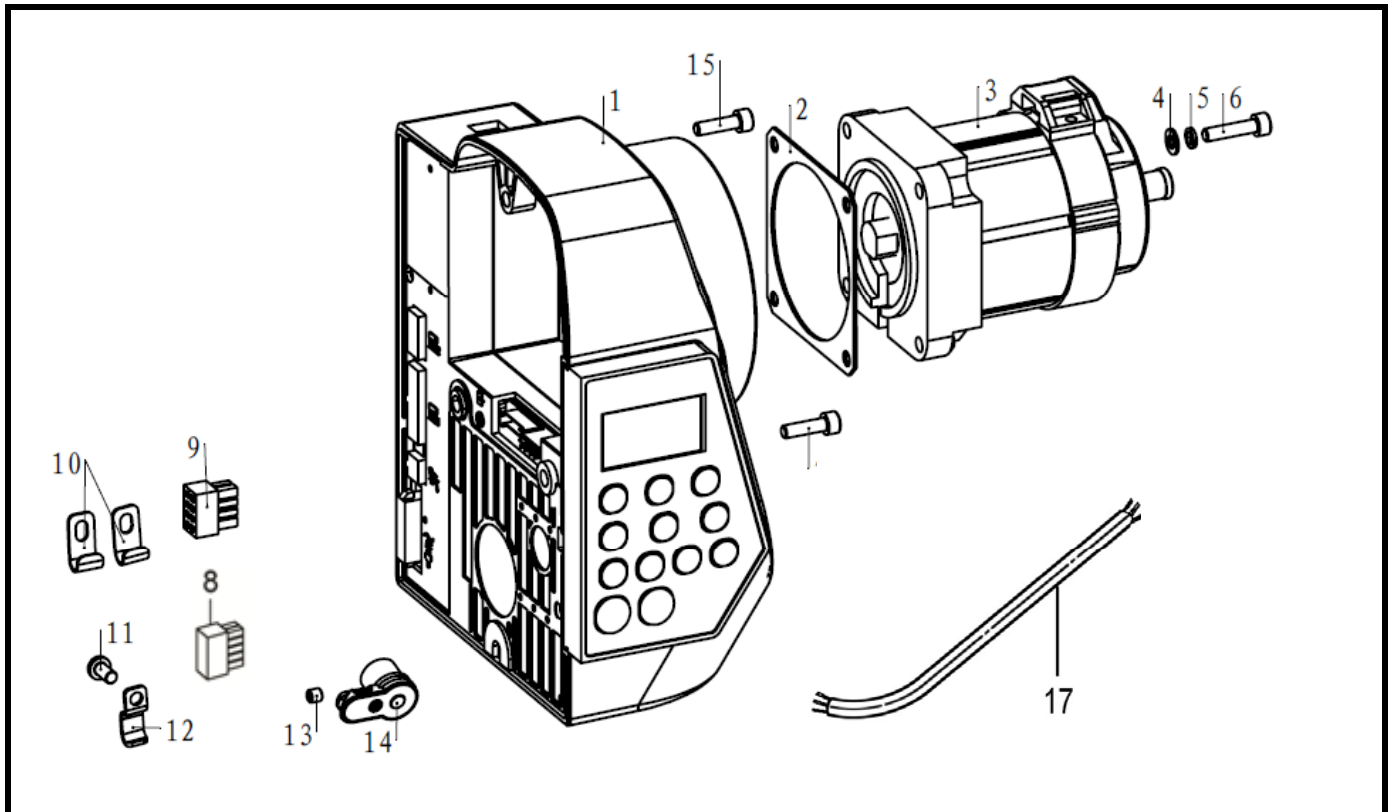
7.自动倒缝部件/Automatic reverse feed components



7.自动倒缝部件/Automatic reverse feed components

序号 Ref.No	图号 Part. No	零件名称	Name of parts	数量Qty		
				H93SF-7D-5	H93S-7D-5	H93SH-7D-5
1	DL-39	倒缝照明灯组件	Reverse switch asm.		1	
2	01-405000823-1	螺钉M5×8	Screw		2	
3	130.05-07-02	销	Shaft pin		1	
4	06-0500611-1	开口挡圈5×0.6×11	E-ring		2	
5	01-505001424-1	螺钉M5×14	Screw		1	
6	01-804000614-1	螺钉M4×6	Screw		1	
7	136.05-01	针距切换曲柄	Connecting arm		1	
8	130.05-06	切换连杆	Turning connecting shaft		1	
9	130.05-13A	步进电机密封垫	Washer		1	
10	MO-02H-60	步进电机	Stepper motor		1	
11	05-043080900-1	平垫片4.3×0.8×9	Washer		4	
12	07-0421111-1	弹簧垫圈4.2×1.1×1.1	Spring Washer		4	
13	01-504001624-1	螺钉M4×16	Screw		4	
14	133.07-06-01	短轴螺钉	Shaft screw		1	

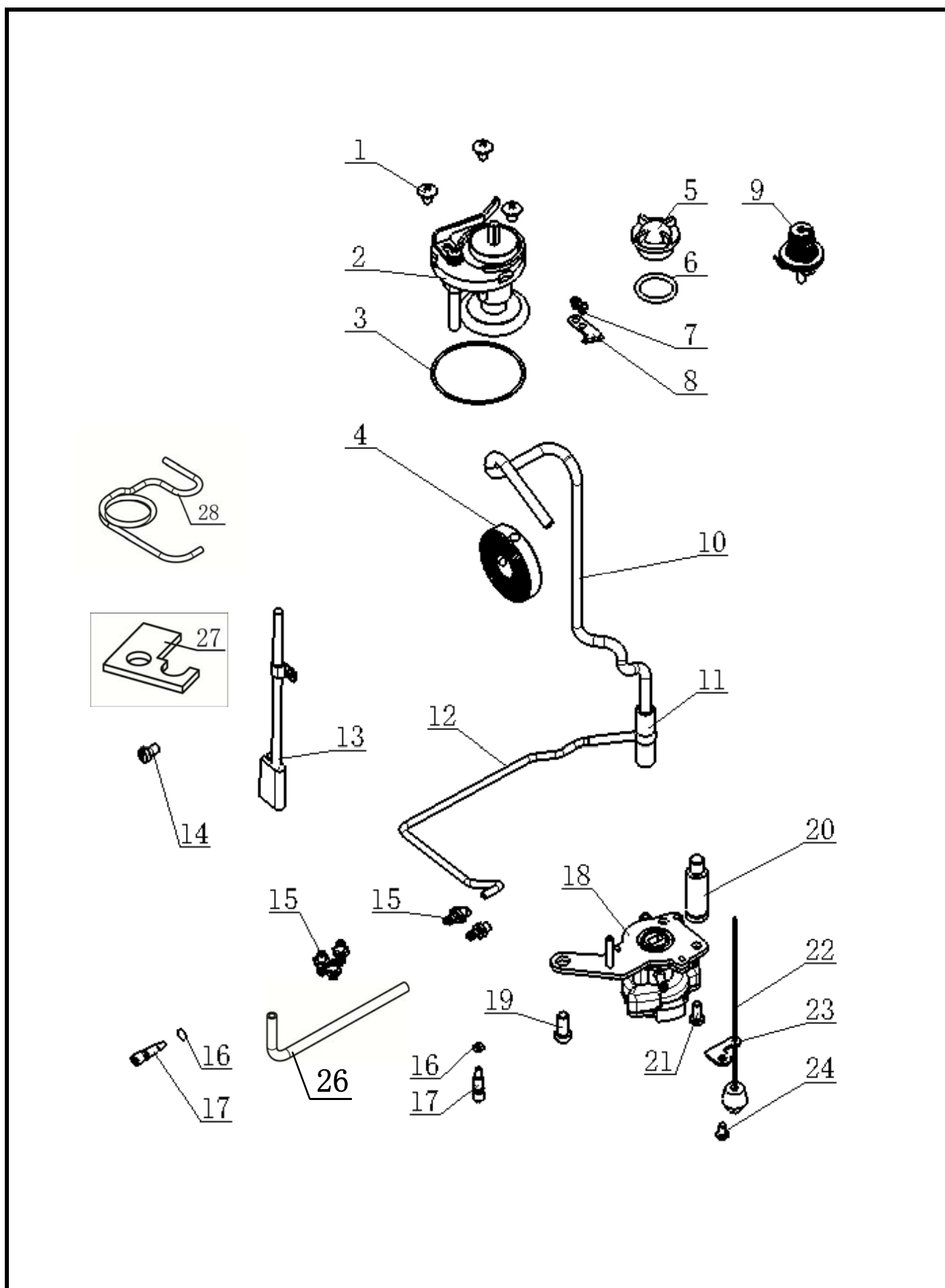
8.驱动部件/Driver components



8.驱动部件/Driver components

序号 Ref.No	图号 Part. No	零件名称	Name of parts	数量Qty		
				H93SF- 7D-5	H93S- 7D-5	H93SH- 7D-5
1	CB-39H	电控组件	Control asm.	1		
2	128.08-05	电机密封垫	Washer	1		
3	MO-02H-550/03	电机组件	Motor asm.	1		
4	05-053101000-1	平垫片	Washer	4		
5	07-0521313-1	弹簧垫圈	Spring washer	4		
6	01-505002224-1	螺钉	Screw	4		
7	01-505003524-1	螺钉	Screw	3		
8	HX42000-14R	14孔插头	Plug	1		
9	30035575	插头HX42000-12R	Plug	1		
10	126.01-06	线夹	Clamp	2		
11	01-405000823-1	螺钉M5x8	Screw	1		
12	103.18-04	线夹	Clamp	1		
13	01-805000514-1	螺钉M5x5	Connector	1		
14	JD-39	起针夹线器	Thread tension solenoid asm	1		
15	01-505001824-1	螺钉	Screw	1		

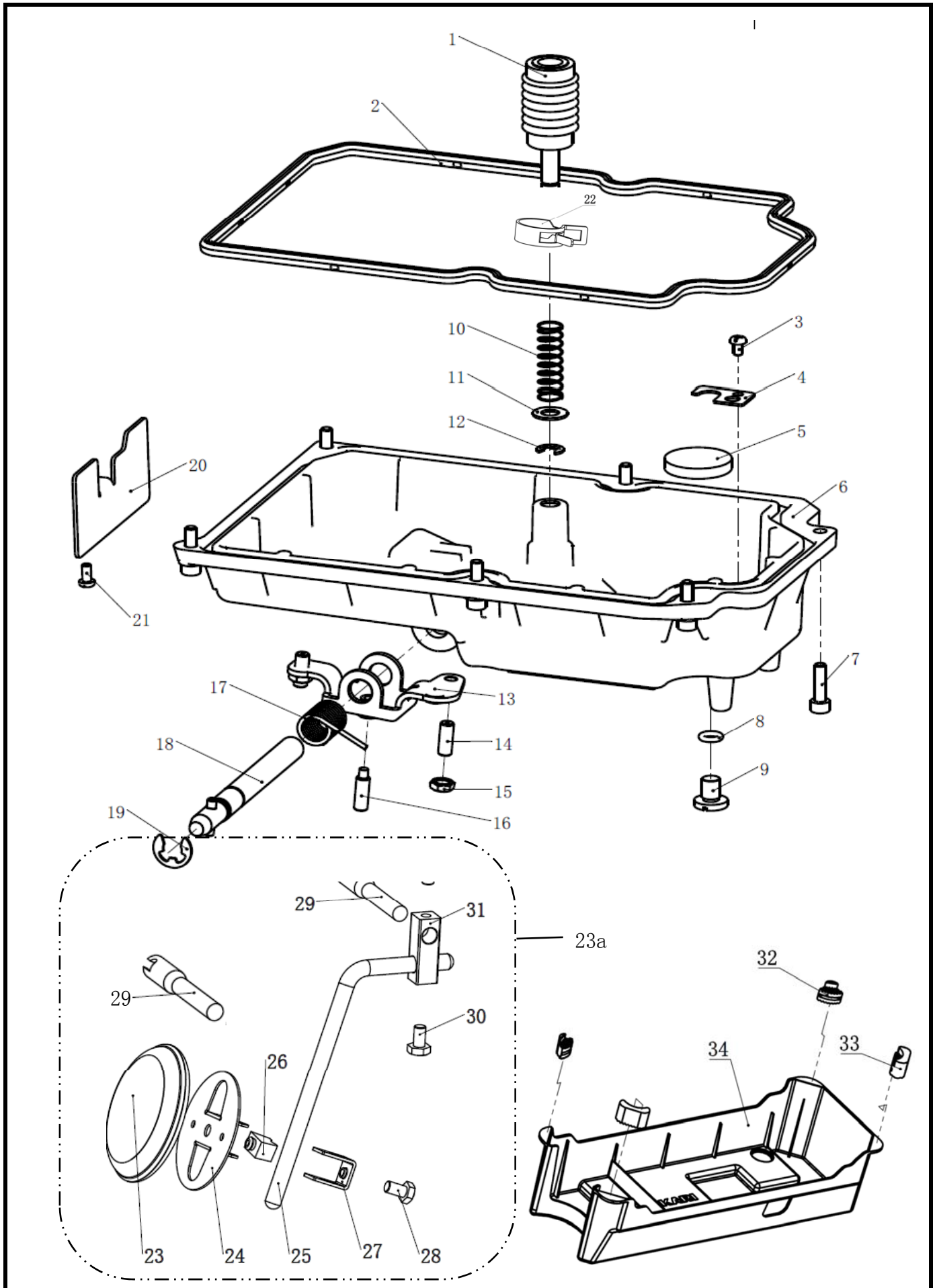
9. 润滑·绕线部件/Oil lubrication components&bobbin components



9、润滑·绕线部件/Oil lubrication components&bobbin components

序号 Ref.No	图号 Part. No	零件名称	Name of parts	数量Qty		
				H93SF- 7D-5	H93S- 7D-5	H93SH- 7D-5
1	02-312320722-3	螺钉 SM3/16×28×7	Screw	3		
2	102.09-32A	绕线器组件	Bobbin winder unit	1		
3	102.09-42	绕线轮垫圈	Washer	1		
4	102.09-37	绕线驱动轮	Bobbin winder driving wheel	1		
5	101.09-01	油窗	Oil sight window	1		
6	12-190265	油窗O型圈	Rubber ring	1		
7	02-509400421-1	螺钉 SM9/64×40×4	Screw	2		
8	102.09-34	切刀	Knife	1		
9	102.09-36	夹线器组件	Thread tension asm.	1		
10	136.09-02	上轴供油管	Main shaft oil tube	1		
11	101.09-16	供油管接头	Rubber joint	1		
12	130.09-35	旋梭供油管	Oil tube	1		
13	136.09-01	回油管组件	Oil Return Pipe Components	1		
14	02-412320821-1	螺钉	Screw	1		
15	103.08-33	供油口	Oil Feeding pipe	6		
16	12-036140	o型圈	Rubber ring	2		
17	130.09-09	油量调节螺钉	Oil adjusting screw	2		
18	101.09-11	油泵组件	Lubricating oil pump asm.	1		
19	02-715281521-1	一字槽六角头螺钉	Screw	1		
	07-0631616-1	弹簧垫圈	Spring washer	1		
	05-064161200-1	平垫片	Washer	1		
20	101.09-13A	油泵连接螺柱	Oil pump support,large	1		
21	02-511401221-1	一字槽圆柱头螺钉	Screw	1		
	07-0521313-1	弹簧垫圈	Spring washer	1		
	05-045080900-1	平垫片	Washer	1		
22	130.09-30	测油浮标	Oil measurement buoy	1		
23	130.09-31	浮标导板	Buoy guide plate	1		
24	01-404000623-1	螺钉	Screw	1		
26	103.08-36-1-4C	油管120mm	OIL TUBE, 120mm	3		
27	126.09-03	油毡	Oil felt	1		
28	126.09-04	油毡夹	Oil felt presser	1		

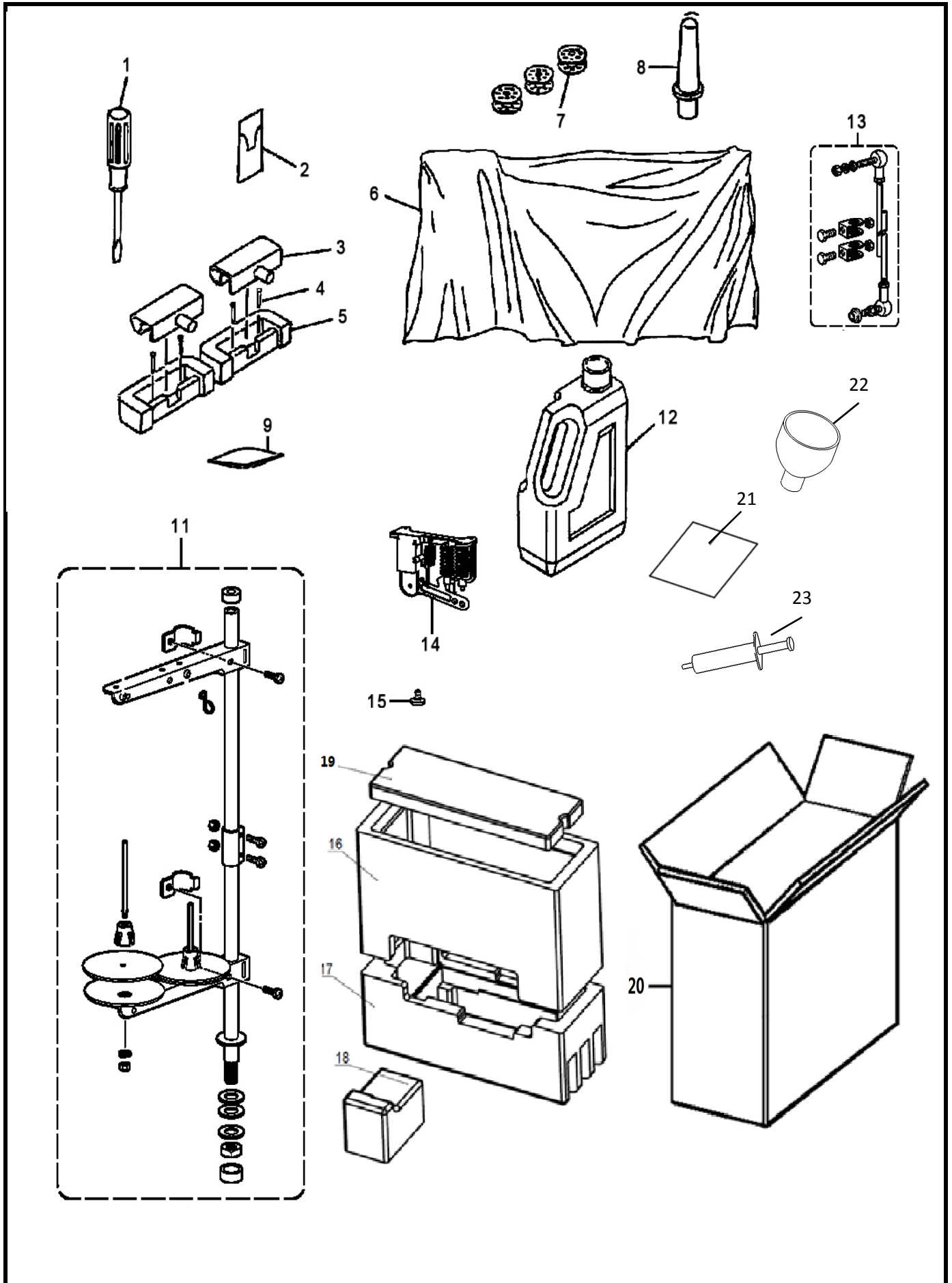
10.油盘部件/Oil reservoir components



10.油盘部件/Oil reservoir components

序号 Ref.No	图号 Part. No	零件名称	Name of parts	数量Qty		
				H93SF- 7D-5	H93S- 7D-5	H93SH- 7D-5
1	130.04-13	膝控顶杆		1		
2	130.09-33	橡胶密封圈	Rubber ring	1		
3	01-404000623-1	螺钉M4×6	Screw	3		
4	130.06-26	压线片	Washer	1		
5	130.09-10	磁铁	magnet	1		
6	130.09-32	底板油盘	Oil reservoir	1		
7	01-505001824-1	螺钉M5×18	Screw	9		
8	12-062240	o型6.2×2.4	Rubber ring	1		
9	01-608001121-1	螺钉M8×10	Screw	1		
10	130.04-33	膝控顶杆复位簧	Spring	1		
11	05-081101553-5	平垫片8.1×1.0×15.5	Washer	1		
12	06-0601012-1	开口挡圈6×1.0×12	E-ring	1		
13	101.10-05-01	抬压脚双向曲柄	Knee lifting rotating arm	1		
14	01-806001614-1	螺钉M6×16	Screw	2		
15	03-606000350-1	六角螺母	Nut	3		
16	01-806002034-1	螺钉M6×20	Screw	1		
17	128.09-27	双向曲柄扭簧	Spring	1		
18	128.04-30	膝控抬压脚轴	Knee press cross shaft	1		
19	06-0901018-1	开口挡圈9×1.0×16	E-ring	1		
20	130.09-36	挡油板	Oil ballfe	1		
21	01-404000823-1	螺钉M4×8	Screw	2		
22	130.09-41	油管夹	Clip	1		
23a	123.03-15	膝控操纵杆接头	Knee lifter bar asm.	1		
23	101.10-06-01	操纵板软垫	Knee pan plate cover	1		
24	101.10-06-04	操纵板	Knee pan plate	1		
25	101.10-06-02	操纵杆	Knee pan upright shaft	1		
26	101.10-06-03	操纵杆垫	Knee pan plate rubber	1		
27	101.10-06-05	操纵杆节头	Knee pan plate support	1		
28	101.10-06-06G	节头螺钉	Screw	1		
29	123.03-12	膝控连接轴	Knee press cross shaft	1		
30	101.10-06-05G	操纵杆节头	Knee pan plate support	2		
31	101.10-06-04G	抬压脚操纵杆节头	Knee pan plate support	1		

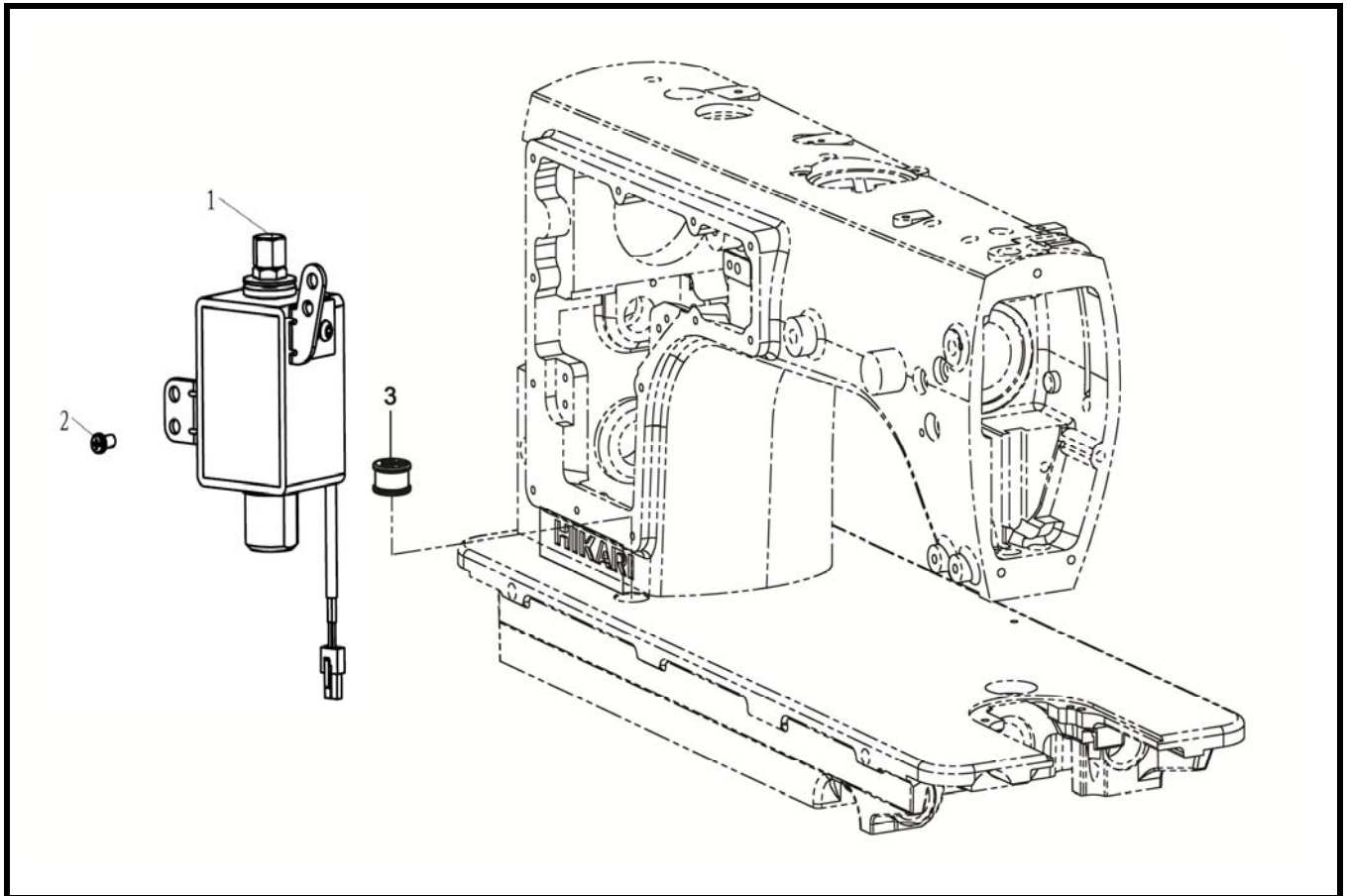
11.附件/Accessories



11.附件/Accessories

序号 Ref.No	图号 Part. No	零件名称	Name of parts	数量Qty		
				H93SF- 7D-5	H93S- 7D-5	H93SH- 7D-5
1	113.16-19	两用螺丝刀	Screw driver	1		
2	101.03-11F	机针	Needle	4		
	101.03-11	机针	Needle		4	
	101.12-11-24	机针	Needle			4
3	101.14-01	机头连接钩	Machine hinge plate asm.	2		
4	101.14-02	机头连接钩座钉	Nail	4		
5	101.14-03	机头连接钩座	Machine hinge plate	2		
6	136.11-02	机头罩	Macgube head cover	1		
7	101.03-37-02	梭心	Bobbin	3		
8	101.14-09	机头支柱	Macgube rest cover	1		
9	101.12-20	空气干燥剂	Air drier	1		
11	101.12-01	过线架组件	Thread stand asm.	1		
12	101.14-10	油箱	Oil reservoir asm.	1		
13	M-02F-010	活球连杆组件	Live festival ball link asm.	1		
14	KS-27H	控速器组件	Treadle asm.	1		
15	21-3501932-4	十字半圆头木螺钉	Screw	4		
16	128.11-01-01	上泡沫	Foam mat (top)	1		
17	128.11-01-02	下泡沫	Foam mat (bottom)	1		
18	128.11-01-03	中泡沫	Foam mat (middle)	1		
19	128.11-01-04	泡沫盖	Foam mat (cover)	1		
20	128.11-02	外箱	Outside box	1		
21		附件箱清单	list	1		
22	201.22-07-08-10	漏斗	funnel	1		
23	103.20-108	管嘴	Grease tube	1		

12.电磁抬压脚装置(选购件)/ Presser foot lifting set mechanism(Option parts)



12.电磁抬压脚装置(选购件)/ Presser foot lifting set mechanism(Option parts)

序号 Ref.No	图号 Part No	零件名称	Name of parts	数量Qty		
				H93SF- 7D-5	H93S- 7D-5	H93SH- 7D-5
1	TD-39	抬压脚电磁铁组件	Presser foot lifting asm.	1		
2	01-405001223-1	螺钉	Screw	4		
3	130.01-23	导线过线套	Rubber plug	1		



富山IoT



微信公众号



抖音官方号

上海富山精密机械科技有限公司

HIKARI (SHANGHAI) PRECISE MACHINERY SCIENCE AND TECHNOLOGY CO., LTD

邮箱/E-mail: hikari@chinahikari.com

网址/Web: www.chinahikari.com

传真/Fax : (00)86-21-67311311

电话/Tel : (00)86-21-67311111 (转外贸部/ext .Foreign Trade Dept)

上海市金山区朱泾镇工业园区中达路800号

NO.800, ZHONGDA ROAD, ZHUJING INDUSTRIAL ZONE,

JINSHAN DISTRICT, SHANGHAI CHINA



QUANTITY ATTESTATION
ISO9001质量体系认证