

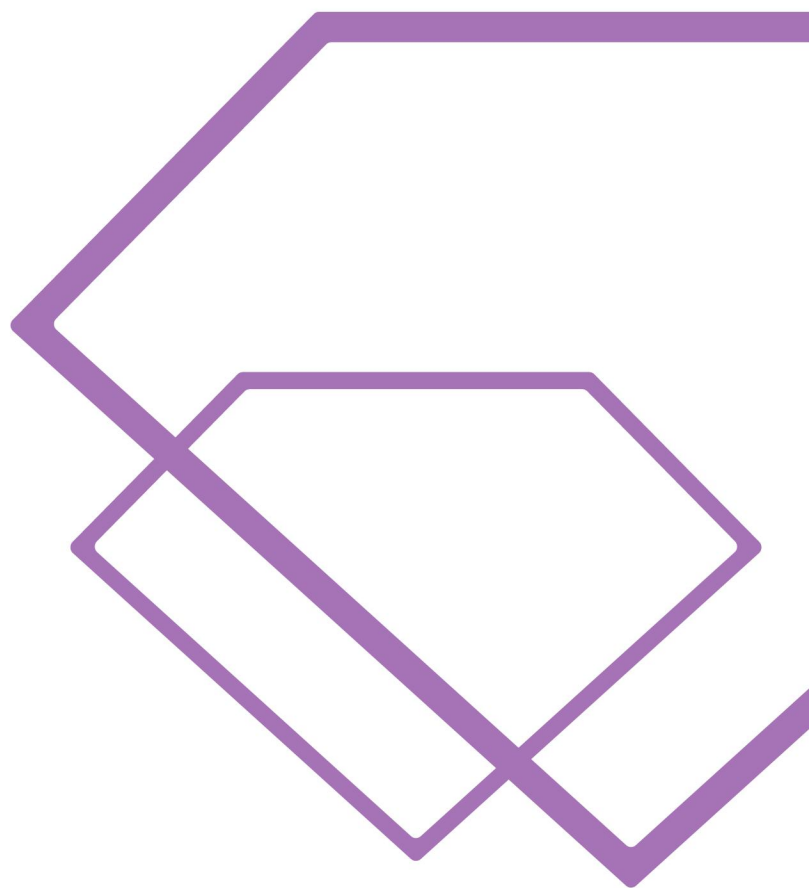
新一代智能缝纫机

THE NEW GENERATION OF INTELLIGENT SEWING MACHINE

HIKARI® 富山

零件手册

PARTS BOOK



HMS-5040 系列  
Series

模板机

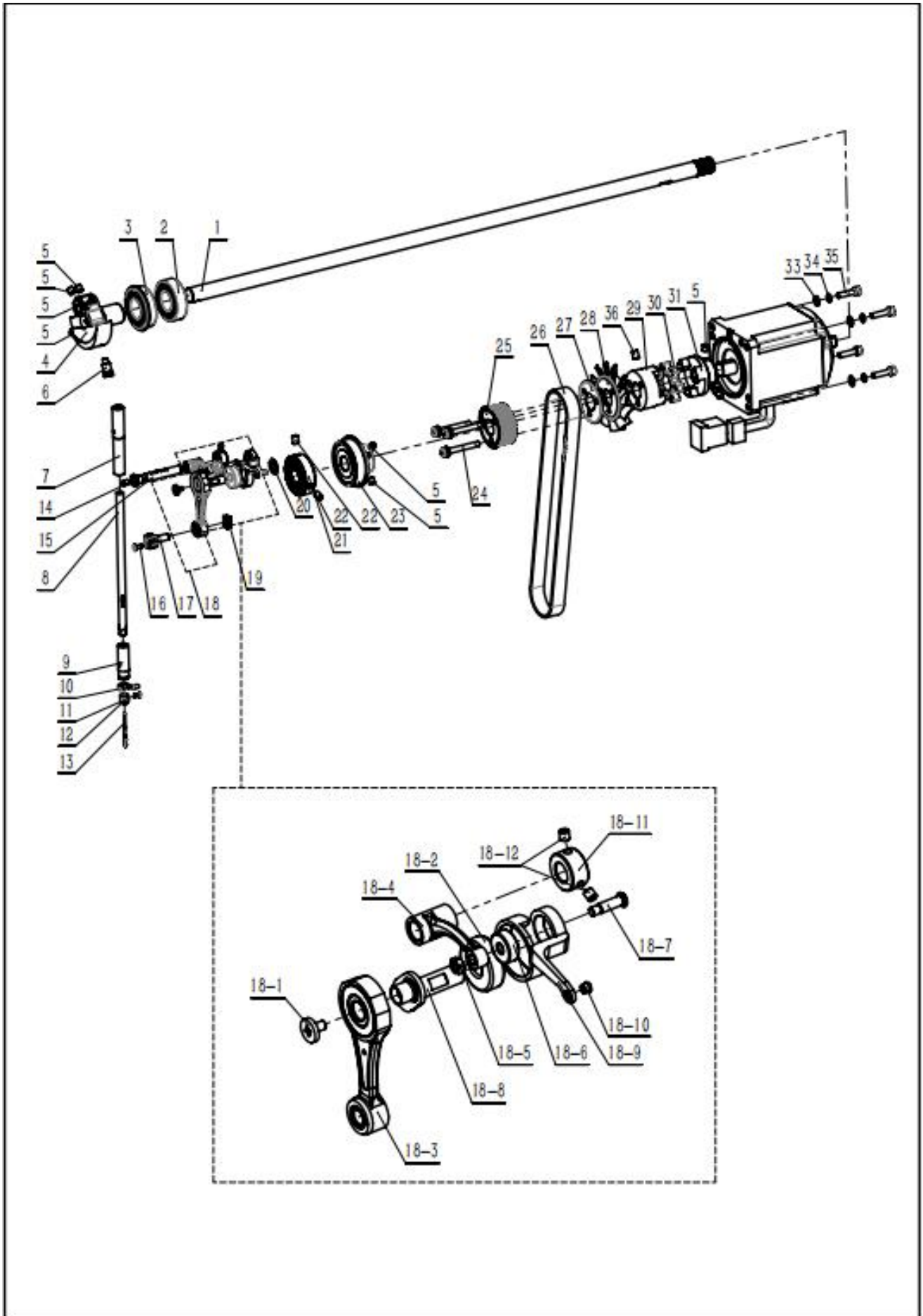
AUTOMATIC TEMPLATE MACHINE

V1.00

# Contents

|  |    |
|--|----|
| 1. Upper Shaft Moving Components .....                 | 1  |
| 2. Middle Presser Foot & Thread Guide Components ..... | 4  |
| 3. Bobbin & Outer Frame Components .....               | 7  |
| 4. Auxiliary Presser Foot Components .....             | 12 |
| 5. Table Assembly .....                                | 15 |
| 6. Rotary Hook Base Assembly .....                     | 17 |
| 7. Main Base Assembly .....                            | 22 |
| 8. Horizontal Bar (X-axis) Assembly .....              | 27 |
| 9. Frame Electro-pneumatic Components .....            | 32 |
| 10. Frame Oil Pan Components .....                     | 34 |
| 11. Frame Sealing Plate Components .....               | 36 |

# 1. Upper Shaft Moving Components

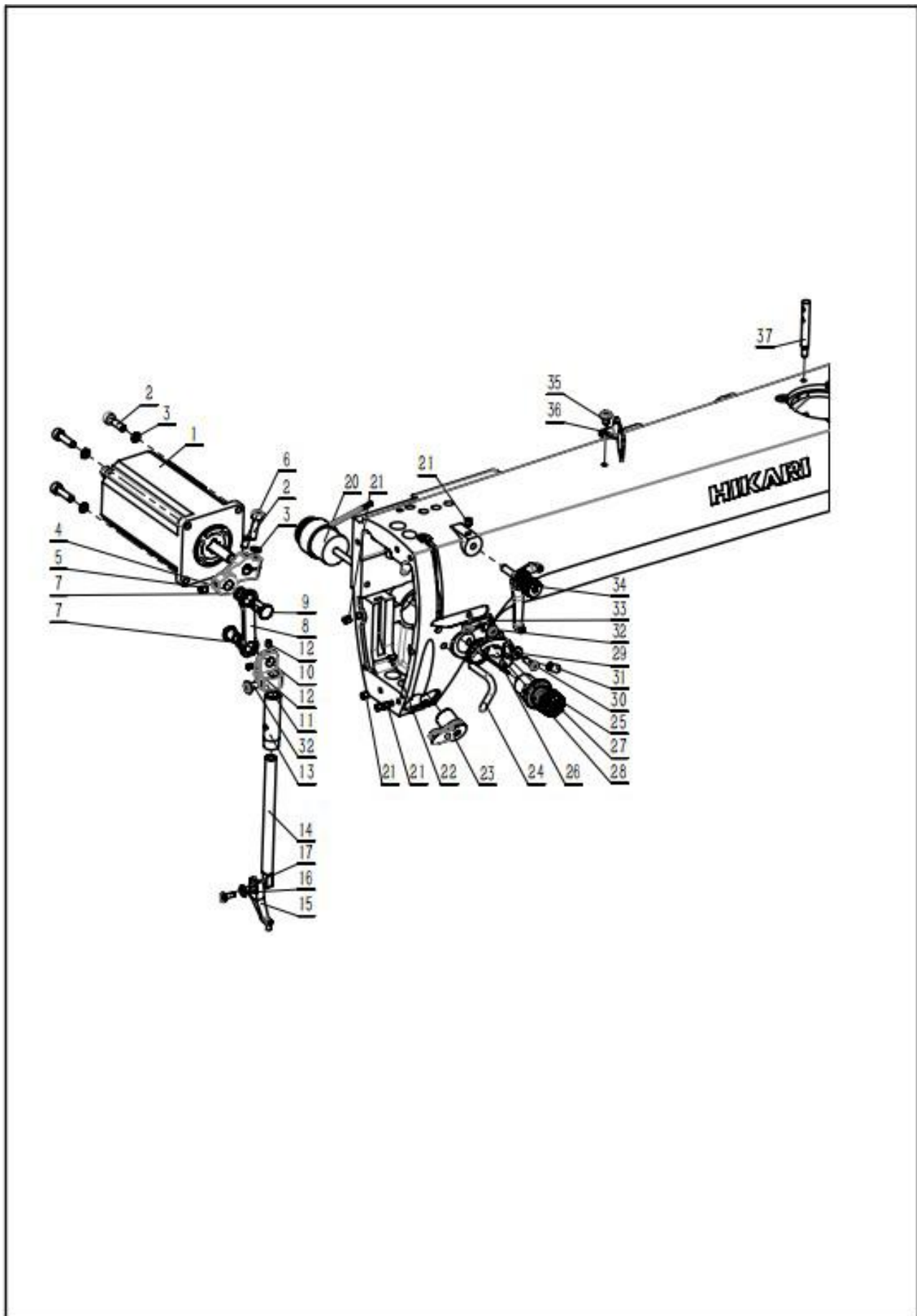


## 1. Upper Shaft Moving Components

| No.   | SAP      | Part No.        | 名称                     | Part Name  | Quantity |
|-------|----------|-----------------|------------------------|--|----------|
| 1     | 30021292 | 125.02-01       | 上轴                     | Upper shaft  | 1        |
| 2     | 30005891 | 14-6004-2Z      | 带防尘盖的深沟球轴承20×42×12     | Deep groove ball bearing with dust cover 20×42×12        | 1        |
| 3     | 30005894 | 14-6004-2ZNR    | 轴承带挡圈20×42×12          | Bearing with collar 20×42×12                             | 1        |
| 4     | 30001797 | 103.02-01-06    | 针杆曲柄                   | Needle bar crank   | 1        |
| 5     | 30005353 | 01-806750614-1  | 内六角凹端紧定螺钉M6×0.75×6     | Hexagon Socket Set Screws with Cup Point M6×0.75×6       | 9        |
| 6     | 30006461 | 103.02-01-04    | 针杆曲柄定位螺钉               | Needle bar crank set screw                               | 1        |
| 7     | 30040463 | 130.03-05       | 针杆上套                   | Needle bar upper bushing                                 | 1        |
| 8     | 30000833 | 103.02-12       | 针杆                     | Needle bar   | 1        |
| 9     | 30053424 | 458.06-07       | 针杆下轴套                  | Needle bar lower bushing                                 | 1        |
| 10    | 30002506 | 101.03-07       | 针杆下套线钩                 | Needle bar lower bushing thread guide                    | 1        |
| 11    | 30005439 | 02-508440521-1  | 开槽圆柱头螺钉SM1 / 8"×44×4.5 | Slotted cheese head machine screw SM1 / 8"×44×4.5        | 1        |
| 12    | 30003989 | 101.03-10       | 针杆线勾过线圈                | Needle bar thread guide ring                             | 1        |
| 13    | 30028461 | DB×1 9#         | 机针                     | Needle   | 1        |
| 14    | 30005316 | 01-805000614-1  | 内六角凹端紧定螺钉M5×6          | Hexagon socket set screw with cup point M5×6             | 1        |
| 15    | 30053423 | 458.06-06       | 挑线连杆销                  | Thread take-up link lever pin                            | 1        |
| 16    | 30005446 | 02-509400721-1  | 开槽圆柱头螺钉SM9 / 64"×40×7  | Slotted cheese head machine screw SM9 / 64"×40×7         | 1        |
| 17    | 30001438 | 103.02-04-14    | 针杆连接柱                  | Needle bar joint pin                                     | 1        |
| 18    | 30053746 | 458.06-08       | 挑线组件                   | Thread take-up assy.                                     | 1        |
| 18-1  | 30051681 | 103.02-04-13    | 挑线杆螺钉                  | Thread take-up lever bolt                                | 1        |
| 18-2  | 30044116 | 14-608-2Z       | 球轴承8×22×7              | Ball bearing 8×22×7                                      | 1        |
| 18-3  | 30002049 | 104.02-04-07    | 针杆连杆组件                 | Needle bar link lever assy.                              | 1        |
| 18-4  | 30001923 | 103.02-04-06    | 挑线连杆                   | Thread take-up link lever                                | 1        |
| 18-5  | 30005602 | 04-609400280-4  | 六角螺母SM3/32"×40×2.8     | Hexagon nut SM3/32"×40×2.8                               | 1        |
| 18-6  | 30036044 | 14-624-2Z       | 轴承                     | Bearing  | 1        |
| 18-7  | 30051993 | 103.02-04-19    | 轴位螺钉                   | Shoulder screw   | 1        |
| 18-8  | 30001805 | 104.02-04-09    | 挑线曲柄                   | Thread take-up crank                                     | 1        |
| 18-9  | 30001756 | 103.02-04-08    | 挑线杆                    | Thread take-up lever                                     | 1        |
| 18-10 | 30000962 | 103.02-04-18    | 过线套                    | Thread guide bush  | 1        |
| 18-11 | 30001278 | 103.02-04-15    | 紧圈                     | Thrust ring  | 1        |
| 18-12 | 30005299 | 01-804000414-1  | 内六角凹端紧定螺钉M4×4          | Hexagon socket set screw with cup point M4×4             | 2        |
| 19    | 30001418 | 103.02-11       | 针杆接头滑块                 | Needle bar joint slide block                             | 1        |
| 20    | 30005695 | 05-081081553-5  | 平垫片8.1×0.8×15.5        | Flat gasket 8.1×0.8×15.5                                 | 1        |
| 21    | 30038590 | 113.02-06A      | 绕线驱动轮                  | Bobbin winder driving wheel                              | 1        |
| 22    | 30005337 | 01-806000814-1  | 内六角槽无帽凹端螺钉M6×8         | Hexagon socket headless screw with cup point M6×8        | 2        |
| 23    | 30021592 | 14-6204-2ZNR/15 | 连体轴承15×47×14           | Integral bearing 15×47×14                                | 1        |
| 24    | 30006014 | 18-405004023-1  | 三件组合十字一字槽盘头螺钉M5×40     | Cross recessed/slotted pan head 3-in-1 screw assy. M5×40 | 3        |

|    |          |                |                     |   |   |
|----|----------|----------------|---------------------|---|---|
| 25 | 30024818 | 123.02-20      | 同步带轮                | Timing belt wheel   | 1 |
| 26 | 30002145 | 103.02-33      | 同步带                 | Timing belt   | 1 |
| 27 | 30006462 | 103.02-20-03   | 法兰                  | Flange  | 1 |
| 28 | 30002324 | 113.02-02      | 风扇                  | Fan   | 1 |
| 29 | 30020268 | 123.02-06      | 联轴器                 | Link bearing  | 1 |
| 30 | 30006149 | 103.02-45      | 联轴器橡胶圈              | Link bearing rubber ring                                  | 1 |
| 31 | 30001457 | 113.02-48      | 连轴器(2)              | Link bearing (2)  | 1 |
| 32 | 30053539 | MO-41-550      | 普天电机PT2102550       | Putian motor PT2102550                                    | 1 |
| 33 | 30005659 | 05-053101000-1 | 平垫圈5.3×10×1.0       | Flat washer 5.3×10×1.0                                    | 4 |
| 34 | 30005765 | 07-0521313-1   | 弹簧垫圈5.2×1.3×1.3     | Spring washer 5.2×1.3×1.3                                 | 4 |
| 35 | 30005187 | 01-505002024-1 | 内六角圆柱头螺钉M5×20       | Hexagon socket head cap screw<br>M5×20                    | 4 |
| 36 | 30005356 | 01-806750814-1 | 内六角槽无帽凹端螺钉M6×0.75×8 | Hexagon socket headless screw with<br>cup point M6×0.75×8 | 2 |

## 2. Middle Presser Foot & Thread Guide Components



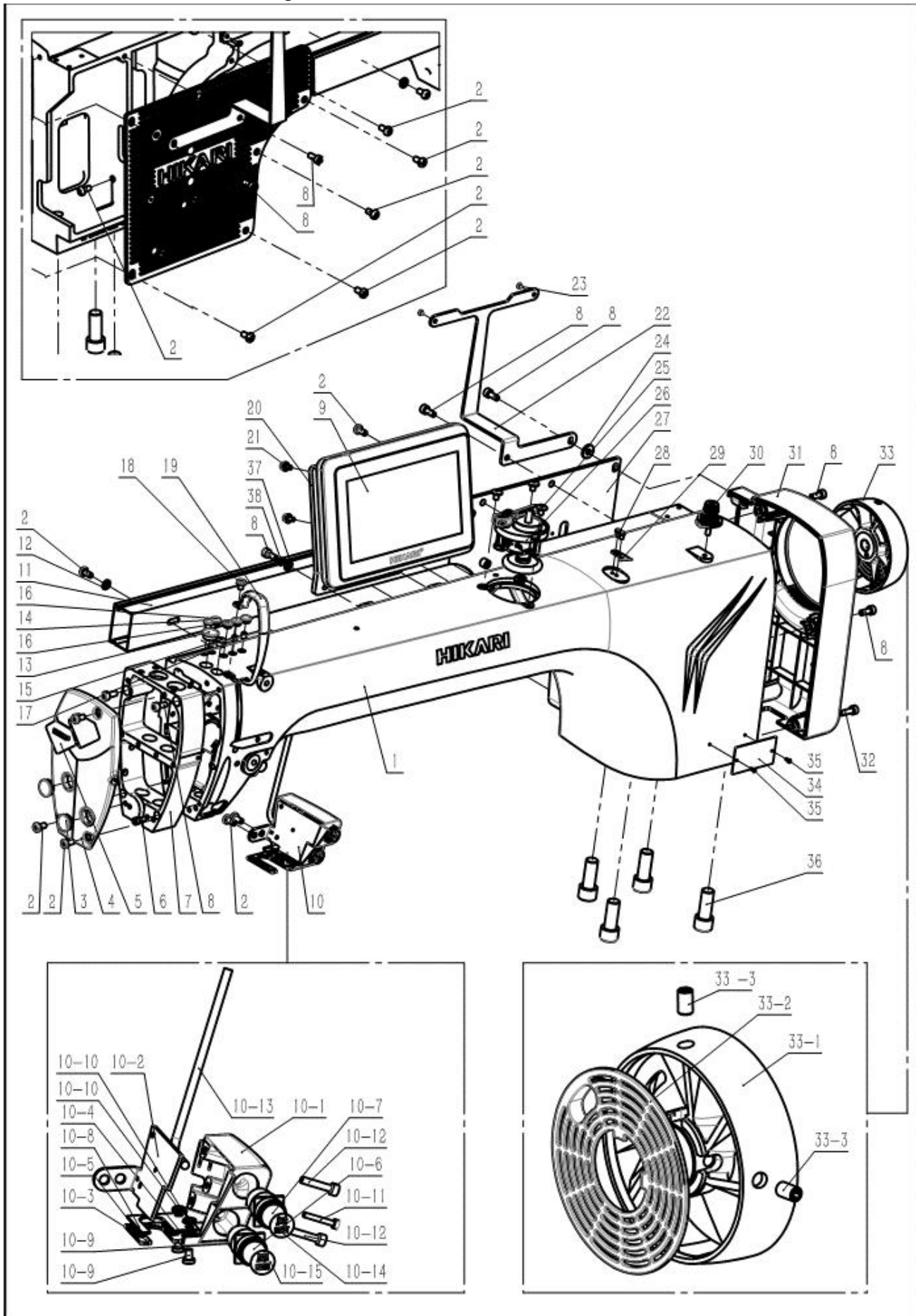
## 2. Middle Presser Foot & Thread Guide Components

| No. | SAP      | Part No.        | 名称                     | Part Name   | Quantity |
|-----|----------|-----------------|------------------------|---|----------|
| 1   | 30050157 | 60BYG-86        | 60闭环步进电机               | Closed loop stepper motor (60 mm)                 | 1        |
| 2   | 30005186 | 01-505001824-1  | 内六角圆柱头螺钉M5×18          | Hexagon socket head cap screw M5×18               | 5        |
| 3   | 30005765 | 07-0521313-1    | 弹簧垫圈5.2×1.3×1.3        | Spring washer 5.2×1.3×1.3                         | 5        |
| 4   | 30051997 | 458.06-30       | 中压脚摆臂                  | Middle presser foot swing arm                     | 1        |
| 5   | 30005316 | 01-805000614-1  | 内六角凹端紧定螺钉M5×6          | Hexagon socket set screw with cup point M5×6      | 1        |
| 6   | 30005320 | 01-805000814-1  | 内六角凹端紧定螺钉M5×8          | Hexagon socket set screw with cup point M5×8      | 1        |
| 7   | 30053542 | JSM 0810-03     | 工程塑料轴承10×8×3           | Plastic bearing 10×8×3                            | 2        |
| 8   | 30052016 | 458.06-32       | 中压脚连杆                  | Middle presser foot link lever                    | 1        |
| 9   | 30052018 | 458.06-33       | 中压脚连杆销                 | Middle presser foot link lever pin                | 1        |
| 10  | 30051724 | 458.06-34       | 中压脚下连杆销                | Middle presser foot lower link lever pin          | 1        |
| 11  | 30051998 | 458.06-31       | 中压脚杆托架                 | Middle presser foot rod bracket                   | 1        |
| 12  | 30005299 | 01-804000414-1  | 内六角凹端紧定螺钉M4×4          | Hexagon socket set screw with cup point M4×4      | 2        |
| 13  | 30000969 | 103.03-02       | 压杆轴套                   | Presser bar bushing                               | 1        |
| 14  | 30000837 | 104.03-01       | 压杆                     | Presser bar                                       | 1        |
| 15  | 30003707 | 421.03-03 (2.2) | 跳压脚 (2.2)              | Jump presser foot (2.2)                           | 1        |
| 16  | 30005628 | 05-043080900-1  | 平垫圈4.3×9×0.8           | Flat washer 4.3×9×0.8                             | 1        |
| 17  | 30005452 | 02-509401021-1  | 开槽圆柱头螺钉SM9 / 64"×40×10 | Slotted cheese head machine screw SM9 / 64"×40×10 | 1        |
| 18  | 30005126 | 01-435000623-1  | 十字一字槽盘头螺钉M3.5×6        | Cross recessed/slotted pan head screws M3.5×6     | 1        |
| 19  | 30003976 | 103.09-14-03    | 面板线钩                   | Face plate thread guide                           | 1        |
| 20  | 30024076 | 125.06-01       | 松线电磁铁                  | Thread release electromagnet                      | 1        |
| 21  | 30005313 | 01-805000514-1  | 内六角凹端紧定螺钉M5×5          | Hexagon socket set screw with cup point M5×5      | 4        |
| 22  | 30005305 | 01-804000614-1  | 内六角凹端紧定螺钉M4×6          | Hexagon socket set screw with cup point M4×6      | 1        |
| 23  | 30004088 | 113.12-00       | 起针夹线器                  | Thread tensioner                                  | 1        |
| 24  | 30002620 | 108.10-18       | 线导向勾                   | Thread guide hook                                 | 1        |
| 25  | 30004105 | 101.01-27       | 夹线器组件                  | Thread tensioner assy.                            | 1        |
| 26  | 30023189 | 123.09-05       | 松线销                    | Tension release pin                               | 1        |
| 27  | 30057663 | 458.06-28       | 导电板                    | Current-conducting plate                          | 1        |
| 28  | 30004324 | 421.12-12       | 腰形绝缘垫片                 | Kidney-shaped insulation gasket                   | 1        |
| 29  | 30058687 | 458.06-27       | 绝缘垫片                   | Insulation gasket                                 | 1        |
| 30  | 30005090 | 01-404001223-1  | 十字一字盘头螺钉M4×12          | Cross recessed/slotted pan head screws M4×12      | 1        |
| 31  | 30005341 | 01-806001014-1  | 内六角凹端紧定螺钉M6×10         | Hexagon socket set screw with cup point M6×10     | 1        |
| 32  | 30016746 | 19-405000823-1  | 十字一字盘头二件套组合螺钉          | Cross recessed/slotted pan head                   | 2        |

|    |          |                |              |   |   |
|----|----------|----------------|--------------|---|---|
|    |          |                | M5×8         | 2-in-1 screw assy. M5×8                     |   |
| 33 | 30004151 | 103.09-10      | 机壳线导向        | Frame thread guide                          | 1 |
| 34 | 30047848 | 130.01-31      | 调线夹线器组件      | Adjusting thread tensioner assy.            | 1 |
| 35 | 30005101 | 01-405000623-1 | 十字一字盘头螺钉M5×6 | Cross recessed/slotted pan head screws M5×6 | 1 |
| 36 | 30002628 | 110.01-07      | 面线过线板        | Face-plate guide                            | 1 |
| 37 | 30000277 | 103.09-04      | 穿线杆          | Threading rod                               | 1 |



### 3. Bobbin & Outer Frame Components

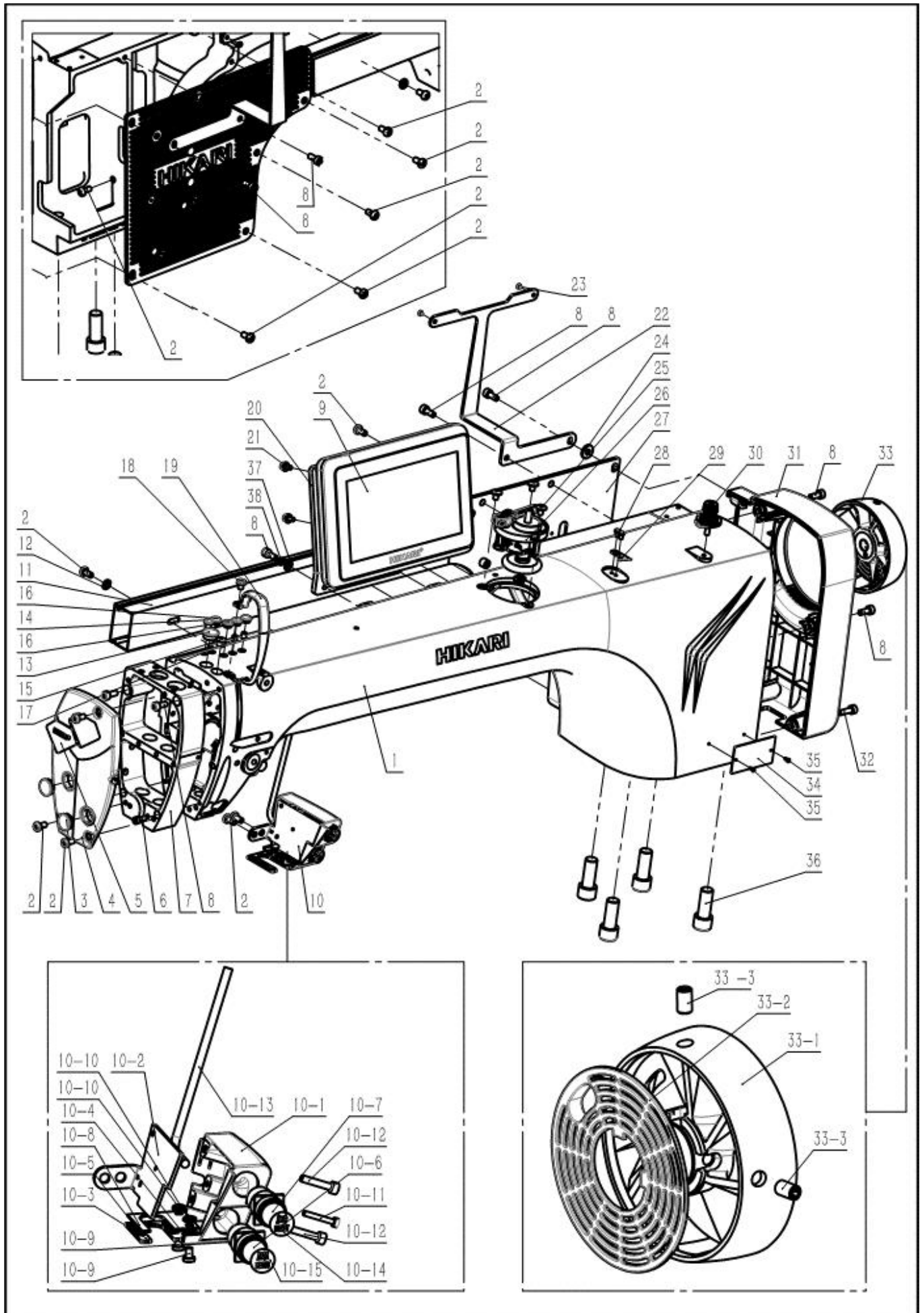


### 3. Bobbin & Outer Frame Components

| No.   | SAP      | Part No.       | 名称               | Part Name                                    | Quantity |
|-------|----------|----------------|------------------|--|----------|
| 1     | 20005335 | 458.06-01      | 5040机头           | 5040 Series Head                             | 1        |
| 2     | 30005106 | 01-405001023-1 | 十字一字槽盘头螺钉M5×10   | Cross recessed/slotted pan head screws M5×10 | 13       |
| 3     | 30006073 | 22-15505017    | 橡胶塞15.5×5×17     | Rubber plug 15.5×5×17                        | 2        |
| 4     | 20002070 | 125.01-03      | 面板               | Face plate                                   | 1        |
| 5     | 30031249 | H0-001         | 面板贴钻石形紫色         | Nameplate, diamond-shaped, purple            | 1        |
| 6     | 30044605 | 01-504001024-3 | 内六角圆柱头螺钉M4×10    | Hexagon socket head cap screw M4×10          | 2        |
| 7     | 30053422 | 458.06-04      | 辅助压脚外框           | Auxiliary presser outer frame                | 1        |
| 8     | 30037154 | 01-505001224-3 | 内六角圆柱头螺钉M5×12    | Hexagon socket head cap screw M5×12          | 8        |
| 9     | 20005693 | 458.14-45      | 模板机7寸操作面板（无按键）   | 7" operation panel (with no key)             | 1        |
| 10    | 20005441 | 458.06-52      | 压框启动缝纫灯          | Frame presser light                          | 1        |
| 10-1  | 30053436 | 458.06-52-01   | 机头压框启动盒          | Head frame presser starter box               | 1        |
| 10-2  | 30053495 | 458.06-52-02   | 压框启动安装板          | frame presser starter mounting plate         | 1        |
| 10-3  | 30029551 | P_191_H16V.02  | 照明灯电路板           | Light circuit board                          | 1        |
| 10-4  | 30024541 | R-S-120620LJ   | 贴片电阻200R/1206/5% | Chip resistor 200R/1206/5%                   | 6        |
| 10-5  | 30008406 | DL06-07-00A-08 | 白色发光二极管          | White LED                                    | 6        |
| 10-6  | 30053530 | 458.14-10      | 按钮黄色16mm         | Button, yellow, 16mm                         | 1        |
| 10-7  | 30053531 | 458.14-11      | 按钮绿色16mm         | Button, green, 16mm                          | 1        |
| 10-8  | 30026884 | DL16-08-A00    | 绝缘垫              | Insulation pad                               | 1        |
| 10-9  | 30005078 | 01-404000623-1 | 十字一字盘头螺钉M4×6     | Cross recessed/slotted pan head screws M4×6  | 2        |
| 10-10 | 30005551 | 03-604000220-1 | 六角螺母M4×2.2       | Hexagon nut M4×2.2                           | 2        |
| 10-11 | 30053557 | 01-503002024-3 | 内六角圆柱头螺钉M3×20    | Hexagon socket head cap screw M3×20          | 1        |
| 10-12 | 30037152 | 01-504002024-3 | 内六角圆柱头螺钉M4×20    | Hexagon socket head cap screw M4×20          | 2        |
| 10-13 | 30024390 | X-DL07-01      | 倒缝灯电线            | Reverse feed light wire                      | 1        |
| 10-14 | 30100631 | 458.14-57      | 启动按钮贴纸           | Starter button tag                           | 1        |
| 10-15 | 30100632 | 458.14-58      | 压框按钮贴纸           | Frame presser button tag                     | 1        |
| 11    | 20005449 | 458.06-55      | 线路槽（铝合金）         | Wire raceway (Al alloy)                      | 1        |
| 12    | 30005659 | 05-053101000-1 | 平垫片5.3×1.0×10    | Flat gasket 5.3×1.0×10                       | 4        |
| 13    | 30006070 | 22-13505016    | 橡胶塞13.5×5×16     | Rubber plug 13.5×5×16                        | 1        |
| 14    | 30006050 | 22-05507509    | 橡胶塞5.5×7×9       | Rubber plug 5.5×7×9                          | 1        |
| 15    | 30006060 | 22-08506511    | 橡胶塞8.5×6.5×11    | Rubber plug 8.5×6.5×11                       | 1        |
| 16    | 30006055 | 22-08003010    | 橡胶塞8×3×10        | Rubber plug 8×3×10                           | 4        |
| 17    | 30005316 | 01-805000614-1 | 内六角凹端紧定螺钉M5×6    | Hexagon socket set screw with cup point M5×6 | 2        |
| 18    | 30005101 | 01-405000623-1 | 十字一字盘头螺钉M5×6     | Cross recessed/slotted pan head              | 2        |

|    |          |                |                           |   |   |
|----|----------|----------------|---------------------------|---|---|
|    |          |                |                           | screws M5×6   |   |
| 19 | 20001309 | 103.09-12      | 挑线杆防护罩                    | Thread take-up lever shield                                 | 1 |
| 20 | 20005445 | 458.06-67      | 显示屏安装板                    | Display mounting plate                                      | 1 |
| 21 | 30006096 | 18-404001023-3 | 十字一字盘头三件套组合螺钉<br>M4×10    | Cross recessed/slotted pan head<br>3-in-1 screw assy. M4×10 | 4 |
| 22 | 30060043 | 458.06-70-01   | 过线架大                      | Thread eyelet stand, large                                  | 1 |
| 23 | 30047271 | 381.06-16      | 瓷眼(1.5-3.0-3.0-5.0)       | Ceramic guide button<br>(1.5-3.0-3.0-5.0)                   | 2 |
| 24 | 30005664 | 05-053201452-5 | 平垫片5.3×2×14.5             | Flat gasket 5.3×2×14.5                                      | 1 |
| 25 | 30019084 | 02-312320722-3 | 十字槽平圆头螺钉<br>SM3/16"×32×7  | Cross recessed flat round head<br>screw SM3/16"×32×7        | 3 |
| 26 | 30024987 | 102.09-32A     | 绕线器组件                     | Bobbin winder assy.   | 1 |
| 27 | 20001834 | CB06-02-00-A00 | 后窗散热板                     | Rear window heat sink                                       | 1 |
| 28 | 30005404 | 02-409400523-1 | 十字一字盘头螺钉SM9 /<br>64"×40×5 | Cross recessed/slotted pan head<br>screws SM9 / 64"×40×5    | 2 |
| 29 | 30003900 | 102.09-34      | 切刀                        | Cutter  | 1 |
| 30 | 30004110 | 102.09-36      | 夹线器组件                     | Thread tensioner assy.                                      | 1 |
| 31 | 30022847 | 125.01-02      | 电机罩                       | Motor shield  | 1 |

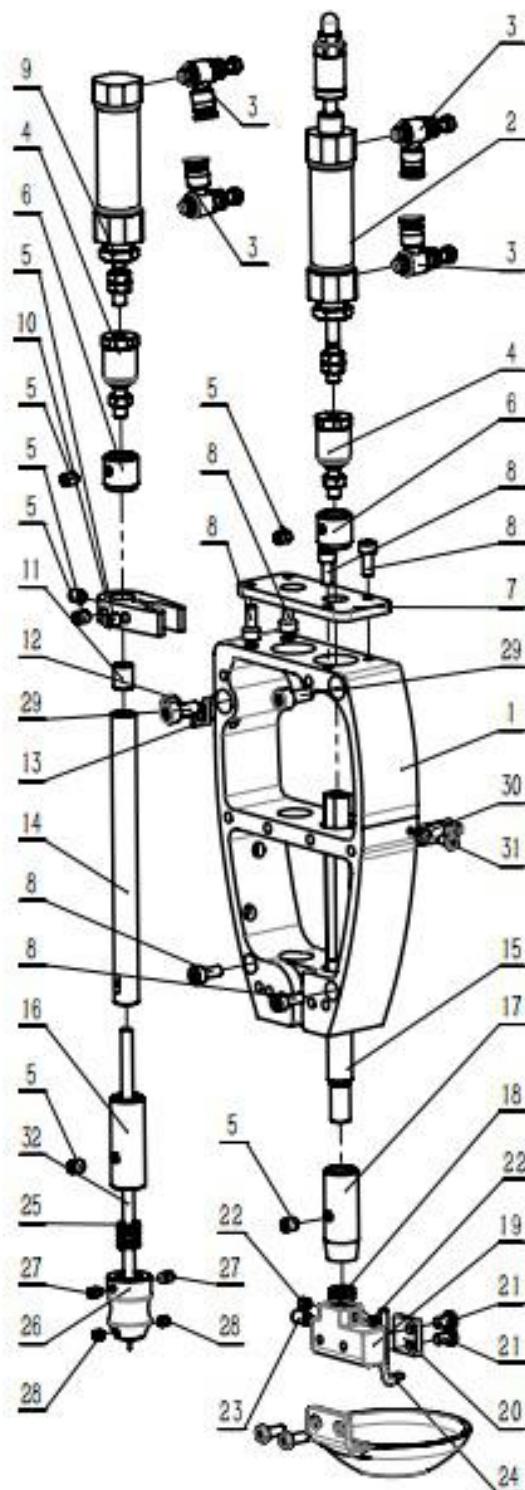
### 3. Bobbin & Outer Frame Components



### 3. Bobbin & Outer Frame Components

| No.  | SAP      | Part No.       | 名称                         | Part Name   | Quantity |
|------|----------|----------------|----------------------------|---|----------|
| 32   | 30037155 | 01-505001624-3 | 内六角圆柱头螺钉M5×16              | Hexagon socket head cap screw<br>M5×16                    | 2        |
| 33   | 30041923 | 128.02-11      | 手轮组件                       | Hand wheel assy.  | 1        |
| 33-1 | 30058461 | 128.02-11-01   | 手轮                         | Hand wheel  | 1        |
| 33-2 | 30058462 | 128.02-11-02   | 手轮盖                        | Hand wheel cover  | 1        |
| 33-3 | 30005522 | 02-815280814-1 | 内六角凹端紧定螺钉<br>SM15/64"×28×8 | Hexagon Socket Set Screws with<br>Cup Point SM15/64"×28×8 | 2        |
| 34   | 30031250 | H0-004         | 综合型号牌紫色                    | Model plate, purple                                       | 1        |
| 35   | 30005996 | 17-3200500-5   | 半沉头铆钉2×5                   | Oval countersunk head rivet 2×5                           | 2        |
| 36   | 30005227 | 01-512003524-1 | 内六角槽圆柱头螺钉M12×35            | Hexagon socket head cap screw<br>M12×35                   | 4        |
| 37   | 30036241 | 05-053101000-3 | 平垫片5.3×1.0×10.0            | Flat gasket 5.3×1.0×10.0                                  | 2        |
| 38   | 30033908 | 07-0521313-6   | 弹簧垫圈5.2×1.3×1.3            | Spring washer 5.2×1.3×1.3                                 | 2        |

#### 4. Auxiliary Presser Foot Components



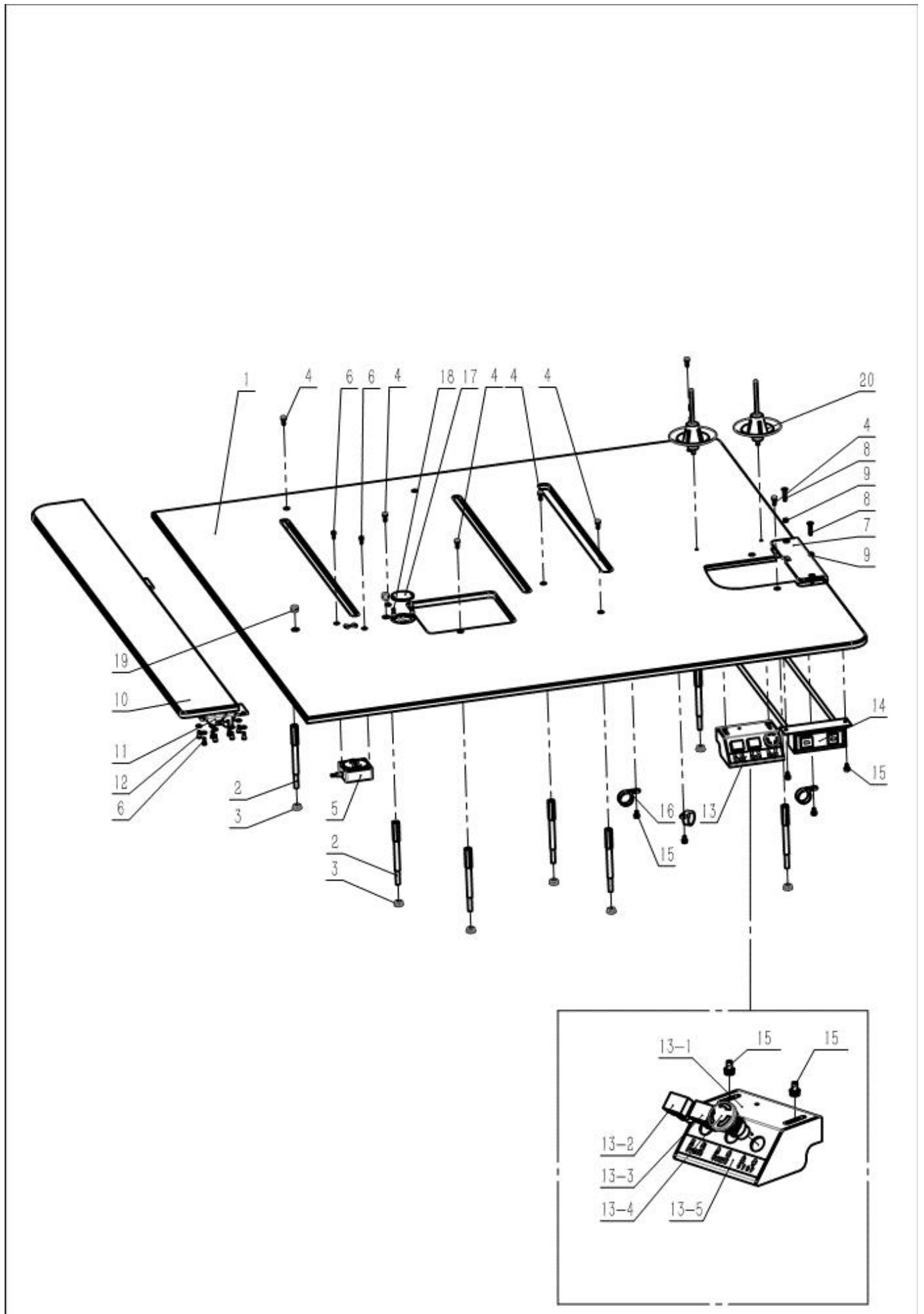
#### 4. Auxiliary Presser Foot Components

| No. | SAP      | Part No.       | 名称                | Part Name  | Quantity |
|-----|----------|----------------|-------------------|--|----------|
| 1   | 20005443 | 458.06-60      | 辅助压脚框             | Auxiliary presser frame                          | 1        |
| 2   | 30051586 | PBJ16-20-10S   | 亚德客气缸             | Airtac cylinder                                  | 1        |
| 3   | 30038908 | PSL4M5A        | 调速阀               | Speed control valve                              | 4        |
| 4   | 30051728 | F-M5×080F      | 迷你浮动接头            | Mini floating joint                              | 2        |
| 5   | 30005316 | 01-805000614-1 | 内六角凹端紧定螺钉M5×6     | Hexagon socket set screw with cup point M5×6     | 7        |
| 6   | 30053428 | 458.06-21      | 中间轴套              | Middle shaft sleeve                              | 2        |
| 7   | 30058174 | 458.06-63      | 辅助压框气缸安装板         | Auxiliary frame presser cylinder mounting plate  | 1        |
| 8   | 30044605 | 01-504001024-3 | 内六角圆柱头螺钉M4×10     | Hexagon socket head cap screw M4×10              | 6        |
| 9   | 30051642 | PB16-20U       | 气缸                | Cylinder   | 1        |
| 10  | 30052017 | 458.06-15      | 辅助压脚杆连接块          | Auxiliary presser foot rod link block            | 2        |
| 11  | 30058177 | 458.14-15-01   | 不锈钢内外螺纹牙套M5-M8×10 | Stainless steel INT-EXT threaded insert M5-M8×10 | 1        |
| 12  | 30005103 | 01-405000823-1 | 十字一字槽盘头螺钉M5×8     | Cross recessed/slotted pan head screws M5×8      | 1        |
| 13  | 30002600 | 103.11-64      | 线夹U3              | Clamp U3   | 1        |
| 14  | 30057984 | 458.06-62      | 多功能导向杆            | Multi-functional guide bar                       | 1        |
| 15  | 30057983 | 458.06-61      | 辅助压脚杆             | Auxiliary presser foot rod                       | 1        |
| 16  | 30051677 | 458.06-25      | 导向杆轴套             | Guide bar bush                                   | 1        |
| 17  | 30051674 | 458.06-17      | 辅助压脚轴套            | Auxiliary presser foot bush                      | 1        |
| 18  | 30053546 | 05-080201013-5 | 平垫片8×2×10         | Flat gasket 8×2×10                               | 2        |
| 19  | 30053425 | 458.06-10      | 辅助压脚安装块           | Auxiliary presser foot mounting block            | 1        |
| 20  | 30051722 | 458.06-11      | 上吹气管压片            | Upper blow tube presser                          | 1        |
| 21  | 30005078 | 01-404000623-1 | 十字一字槽盘头螺钉M4×6     | Cross recessed/slotted pan head screws M4×6      | 2        |
| 22  | 30005299 | 01-804000414-1 | 内六角凹端紧定螺钉M4×4     | Hexagon socket set screw with cup point M4×4     | 2        |
| 23  | 30005320 | 01-805000814-1 | 内六角凹端紧定螺钉M5×8     | Hexagon socket set screw with cup point M5×8     | 1        |
| 24  | 30053427 | 458.06-16      | 上吹气管              | Upper blow tube                                  | 1        |
| 25  | 30058176 | 458.06-46-03   | 回弹弹簧              | Rebound spring                                   | 1        |
| 26  | 30053431 | 458.06-46-01   | 点位笔头              | Marker pen head                                  | 1        |
| 27  | 30058904 | 458.14-16      | 凸缘无头内六角紧定螺钉M4×6   | Collar headless hexagon socket set screw M4×6    | 2        |
| 28  | 30053559 | 01-804000411-1 | 一字槽无帽凹端螺钉M4×4     | Slotted headless screw with cup point M4×4       | 2        |
| 29  | 30037154 | 01-505001224-3 | 内六角圆柱头螺钉M5×12     | Hexagon socket head cap screw M5×12              | 2        |
| 30  | 30003976 | 103.09-14-03   | 面板线钩              | Face plate thread guide                          | 1        |
| 31  | 30005126 | 01-435000623-1 | 十字一字槽盘头螺钉M3.5×6   | Cross recessed/slotted pan head                  | 1        |

|  |  |  |  |               |  |
|--|--|--|--|---------------|--|
|  |  |  |  | screws M3.5×6 |  |
|--|--|--|--|---------------|--|



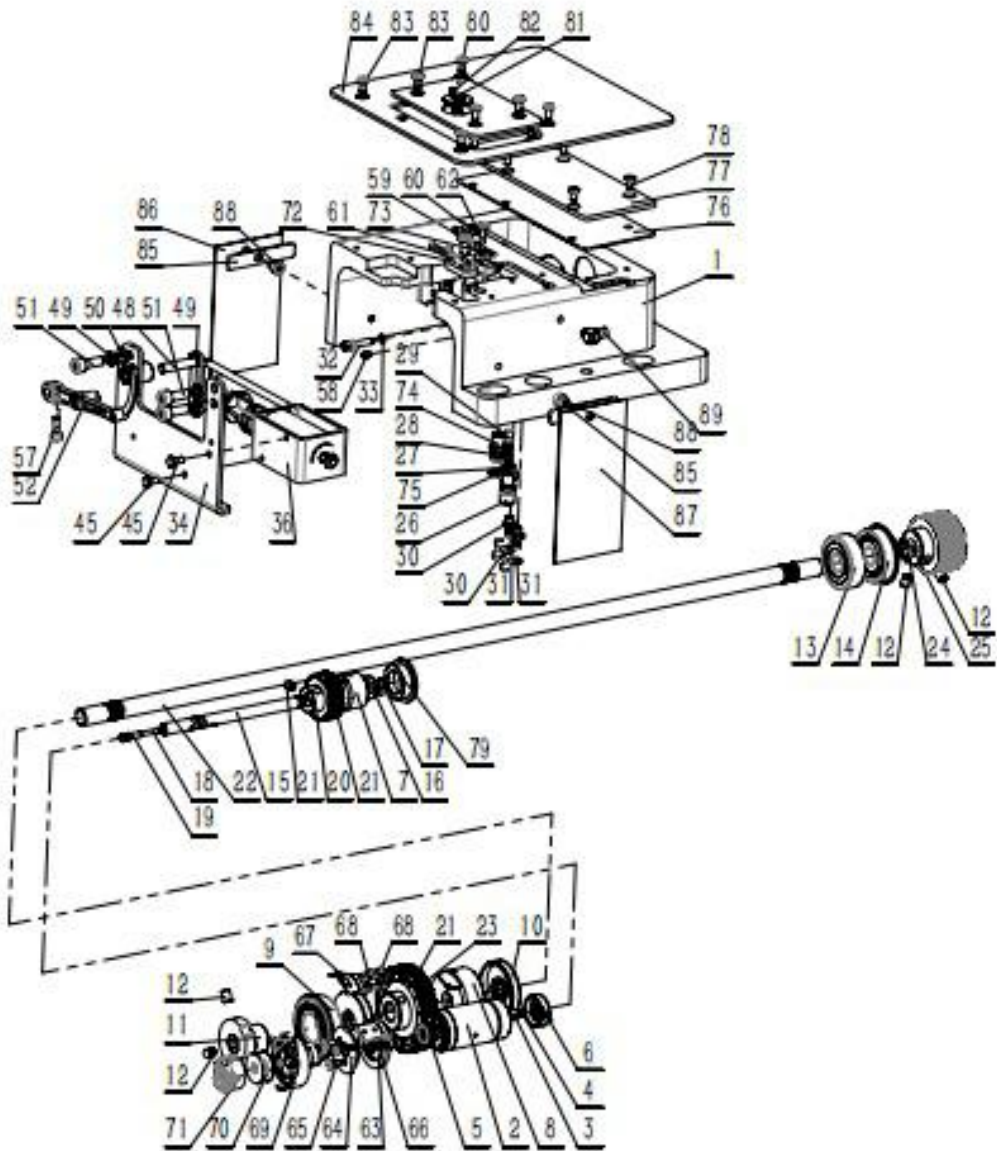
## 5. Table Assembly



## 5. Table Assembly

| No.  | SAP      | Part No.       | 名称                   | Part Name  | Quantity |
|------|----------|----------------|----------------------|--|----------|
| 1    | 10003935 | 458.10-29      | 台板                   | Table  | 1        |
| 2    | 30053466 | 458.09-54      | 台板支撑柱                | Table support                                      | 7        |
| 3    | 30027736 | 03-608000700-3 | 六角螺母M8×8             | Hexagon nut M8×8                                   | 7        |
| 4    | 30037154 | 01-505001224-3 | 内六角槽圆柱头螺钉M5×12       | Hexagon socket head cap screw<br>M5×12             | 7        |
| 5    | 30053533 | 458.14-25      | 模板感应识别器              | Template sensor                                    | 1        |
| 6    | 30044605 | 01-504001024-3 | 内六角圆柱头螺钉M4×10        | Hexagon socket head cap screw<br>M4×10             | 18       |
| 7    | 20005447 | 458.10-26      | 台板缺口安装板              | Mounting plate on table hole                       | 1        |
| 8    | 30053558 | 01-105002524-3 | 内六角沉头螺钉M5×25         | Hexagon socket countersunk head<br>screw M5×25     | 2        |
| 9    | 30005573 | 03-605000450-3 | 六角螺母M5×4.5           | Hexagon nut M5×4.5                                 | 2        |
| 10   | 10003936 | 458.10-27      | 台板延长板                | Table extension                                    | 1        |
| 11   | 30058927 | 458.14-21      | 180度自锁折叠合页90°-180°   | 180° self-locking folding hinge<br>90°-180°        | 2        |
| 12   | 30043999 | 05-042121000-3 | 平垫片 4.2×1.2×10       | Flat gasket 4.2×1.2×10                             | 8        |
| 13   | 20005440 | 458.10-11      | 开关盒组件                | Switch box assy.                                   | 1        |
| 13-1 | 20005637 | 458.10-46      | 开关盒                  | Switch box   | 1        |
| 13-2 | 30060050 | 458.14-40      | 长方形黄色按钮LA16-3        | Rectangle yellow button LA16-3                     | 1        |
| 13-3 | 30060049 | 458.14-39      | 长方形绿色按钮LA16-3        | Rectangle green button LA16-3                      | 1        |
| 13-4 | 30060051 | 458.14-41      | 三脚大头急停开关LA16-11ZS/A  | Large head 3-pole emergency stop<br>LA16-11ZS/A    | 1        |
| 13-5 | 30060047 | 458.10-46-03   | 压框启动急停贴纸             | Frame presser emergency stop tag                   | 1        |
| 14   | 30060058 | 458.14-36      | 模板机电源开关（带插头）         | Template machine power switch<br>(with plug)       | 1        |
| 15   | 30014900 | 18-405000822-3 | 十字槽盘头三件套组合螺钉<br>M5×8 | Cross recessed pan head 3-in-1<br>screw assy. M5×8 | 7        |
| 16   | 30008262 | 515.30-04      | 气路管夹(大)FV1 740       | Air pip clamp (large) FV1 740                      | 3        |
| 17   | 30062099 | 458.10-50      | 吸风口封板                | Inlet sealer                                       | 1        |
| 18   | 30005090 | 01-404001223-1 | 十字一字盘头螺钉M4×12        | Cross recessed/slotted pan head<br>screws M4×12    | 2        |
| 19   | 30027259 | 14-KSM-8       | 单眼万向球                | One-eye universal ball bearing                     | 2        |
| 20   | 30053543 | 458.14-22      | 线盘组件                 | Thread disk assy.                                  | 2        |

## 6. Rotary Hook Base Assembly

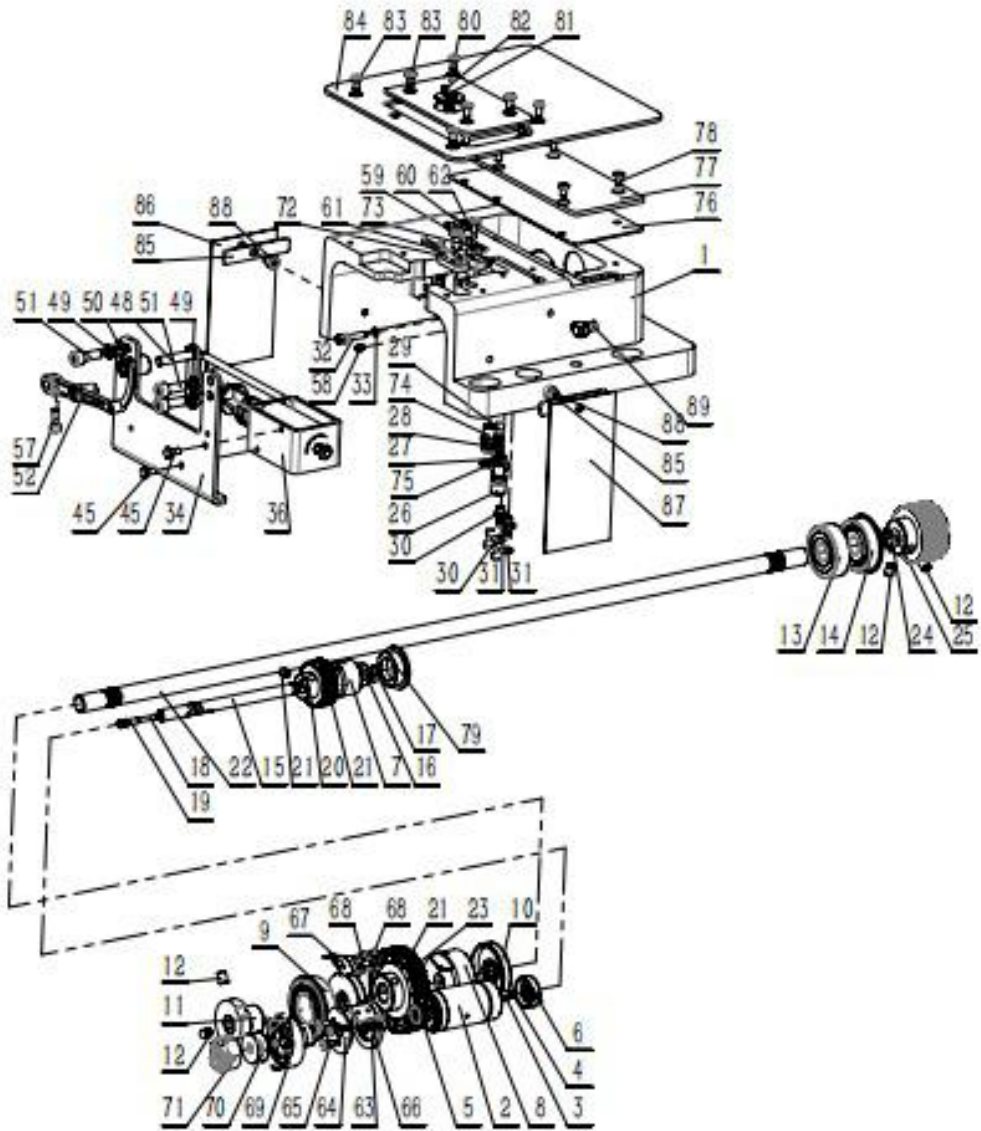


## 6. Rotary Hook Base Assembly

| No. | SAP      | Part No.       | 名称                  | Part Name  | Quantity |
|-----|----------|----------------|---------------------|--|----------|
| 1   | 20005696 | 458.06-02      | 5040旋梭座             | 5040 Series rotary hook base                           | 1        |
| 2   | 30020311 | 123.08-14      | 油泵轴套                | Oil pump bush  | 1        |
| 3   | 30008060 | 101.02-31      | 曲柄油量限制毡             | Crank oil felt   | 1        |
| 4   | 30005313 | 01-805000514-1 | 内六角凹端紧定螺钉M5×5       | Hexagon socket set screw with cup point M5×5           | 1        |
| 5   | 30005857 | 13-07230120    | 骨架油封7.2×3×12        | Skeleton oil seal 7.2×3×12                             | 1        |
| 6   | 30005859 | 13-07270220    | 骨架油封7.2×7×22        | Skeleton oil seal 7.2×7×22                             | 1        |
| 7   | 30020306 | 123.07-02      | 旋梭轴齿轮轴套             | Rotary hook shaft gear bush                            | 1        |
| 8   | 30000967 | 103.02-36      | 下轴轴套                | Lower shaft bush                                       | 1        |
| 9   | 30005894 | 14-6004-2ZNR   | 轴承带挡圈20×42×12       | Bearing with collar 20×42×12                           | 1        |
| 10  | 30005876 | 13-11470400    | 骨架油封11.4×7×40       | Skeleton oil seal 11.4×7×40                            | 2        |
| 11  | 30024989 | 123.11-23      | 剪线凸轮                | Trimmer cam  | 1        |
| 12  | 30005356 | 01-806750814-1 | 内六角槽无帽凹端螺钉M6×0.75×8 | Hexagon socket headless screw with cup point M6×0.75×8 | 4        |
| 13  | 30057665 | 14-6301-2Z     | 深沟球轴承12×37×12       | Deep groove ball bearing 12×37×12                      | 1        |
| 14  | 30005937 | 14-6301-2ZNR   | 轴承12×37×12          | Bearing 12×37×12                                       | 1        |
| 15  | 30051725 | 458.07-04      | 旋梭轴                 | Rotary hook shaft                                      | 1        |
| 16  | 30023303 | 05-081101553-5 | 平垫圈8.1×1.0×15.5     | Flat washer 8.1×1.0×15.5                               | 1        |
| 17  | 30005794 | 10-0740812-1   | 轴用弹性挡圈7.4×0.8×12    | Circlip for shaft 7.4×0.8×12                           | 1        |
| 18  | 30031214 | 101.03-35A     | 下轴限油芯（短）            | Lower shaft oil wick                                   | 1        |
| 19  | 30006449 | 102.03-40      | 下轴限油螺钉              | Lower shaft oil seal screw                             | 1        |
| 20  | 30002146 | 103.07-07      | 旋梭轴齿轮               | Rotary hook shaft gear                                 | 1        |
| 21  | 30005353 | 01-806750614-1 | 无帽内六角紧定螺钉M6×0.75×6  | Headless hexagon Socket Set Screws M6×0.75×6           | 4        |
| 22  | 30021293 | 125.02-02      | 下轴                  | Lower shaft  | 1        |
| 23  | 30002141 | 103.02-28      | 下轴齿轮                | Lower shaft gear                                       | 1        |
| 24  | 30005796 | 10-1101015-1   | 轴用弹性挡圈11×1×1.5      | Circlip for shaft 11×1×1.5                             | 1        |
| 25  | 30002144 | 103.02-29      | 同步带轮D               | Timing belt wheel D                                    | 1        |
| 26  | 30016705 | 113.08-29-01   | 泵盖螺钉                | Pump cover screw                                       | 1        |
| 27  | 30005826 | 12-068150      | O型橡胶密封圈6.8×1.5      | Rubber O-ring 6.8×1.5                                  | 1        |
| 28  | 30007178 | 103.08-29-02   | 柱塞弹簧                | Spring plunger   | 1        |
| 29  | 30000271 | 103.08-27      | 柱塞                  | Plunger  | 1        |
| 30  | 30046968 | 130.08-33      | 供油口                 | Oil supply port  | 2        |
| 31  | 30046071 | 133.09-01      | 油管夹                 | Oil pipe clamp   | 2        |
| 32  | 30020308 | 123.07-05      | 油量调节螺钉              | Oil-adjusting screw                                    | 1        |
| 33  | 30005815 | 12-036140      | O型橡胶密封圈3.6×1.4      | Rubber O-ring 3.6×1.4                                  | 1        |
| 34  | 30020334 | 123.11-10      | 电磁铁支架组件             | Electromagnet racket assy.                             | 1        |
| 35  | 30024075 | 125.10-01      | 剪线电磁铁组件             | Thread trimmer solenoid assy.                          | 1        |
| 36  | 30005082 | 01-404000823-1 | 十字一字槽盘头螺钉M4×8       | Cross recessed/slotted pan head screws M4×8            | 2        |
| 37  | 30020324 | 123.11-05      | 连接杆组件               | Link lever assy.                                       | 1        |
| 38  | 30005770 | 07-0631616-1   | 弹簧垫圈6.3×1.6×1.6     | Spring washer 6.3×1.6×1.6                              | 3        |
| 39  | 30005684 | 05-064161200-1 | 平垫片6.4×1.6×12       | Flat gasket 6.4×1.6×12                                 | 1        |

|    |          |                |                 |  |   |
|----|----------|----------------|-----------------|--|---|
| 40 | 30005200 | 01-506001624-1 | 内六角圆柱头螺钉M6×16   | Hexagon socket head cap screw<br>M6×16           | 3 |
| 41 | 30020328 | 123.11-09      | 动刀摇杆组件          | Movable knife jointed arm assy.                  | 1 |
| 42 | 30005157 | 01-504001224-1 | 内六角圆柱头螺钉M4×12   | Hexagon socket head cap screw<br>M4×12           | 1 |
| 43 | 30058904 | 458.14-16      | 凸缘无头内六角紧定螺钉M4×6 | Collar headless hexagon socket set<br>screw M4×6 | 1 |
| 44 | 30020315 | 123.11-01      | 固定刀             | Fixed knife                                      | 1 |
| 45 | 30022570 | 01-803000614-1 | 内六角凹端紧定螺钉M3×6   | Hexagon socket set screw with cup<br>point M3×6  | 2 |
| 46 | 30053444 | 458.07-10      | 定刀压块            | Fixed knife fastening block                      | 1 |

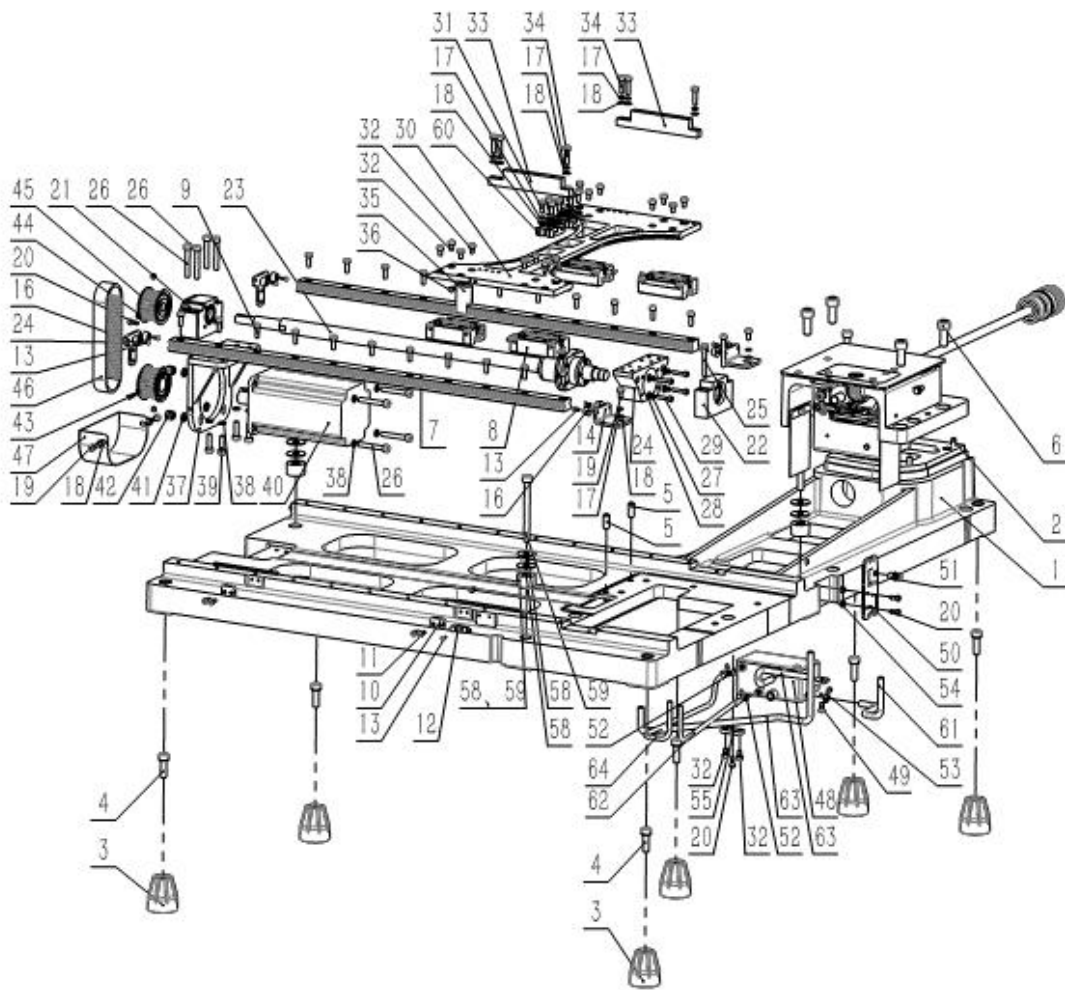
## 6. Rotary Hook Base Assembly



## 6. Rotary Hook Base Assembly

| No. | SAP      | Part No.        | 名称                | Part Name                                    | Quantity |
|-----|----------|-----------------|-------------------|--|----------|
| 47  | 30005154 | 01-504001021-1  | 一字槽圆柱头螺钉M4×10     | Slotted cheese head screws M4×10             | 1        |
| 48  | 30020338 | 123.11-17       | 动刀座               | Movable knife holder                         | 1        |
| 49  | 30020340 | 123.11-20       | 动刀盖板              | Movable knife cover                          | 1        |
| 50  | 30005139 | 01-503000821-1  | 一字槽圆柱头螺钉M3×8      | Slotted cheese head screws M3×8              | 3        |
| 51  | 30020339 | 123.11-19       | 轴位螺钉              | Shoulder screw                               | 1        |
| 52  | 30020316 | 123.11-02       | 活动刀               | Movable knife                                | 1        |
| 53  | 30005064 | 01-403000423-1  | 十字一字盘头螺钉M3×4      | Cross recessed/slotted pan head screws M3×4  | 2        |
| 54  | 30003822 | 101.03-36-02    | 广濑电脑旋梭HSH-7.94BTR | Hirose rotary hook HSH-7.94BTR               | 1        |
| 55  | 30003835 | 101.03-37-02    | 梭心                | Bobbin                                       | 1        |
| 56  | 30003852 | 122.03-37-02    | 国产梭壳BC-DB1-NBL6   | Bobbin case BC-DB1-NBL6, made in China       | 1        |
| 57  | 30051580 | 458.06-03       | 旋梭定位勾             | Bobbin case holder                           | 1        |
| 58  | 30005106 | 01-405001023-1  | 十字一字盘头螺钉M5×10     | Cross recessed/slotted pan head screws M5×10 | 1        |
| 59  | 30007563 | 103.08-34       | 供油口               | Oil supply port                              | 1        |
| 60  | 30006475 | 103.08-36-01-09 | 油管夹               | Oil pipe clamp                               | 1        |
| 61  | 30053443 | 458.07-06       | 齿轮箱密封垫            | Gear box gasket                              | 1        |
| 62  | 30053496 | 458.07-07       | 齿轮箱盖板             | Gear box cover                               | 1        |
| 63  | 30005049 | 01-104000824-1  | 内六角沉头螺钉M4×8       | Hexagon socket countersunk head screw M4×8   | 6        |
| 64  | 30059155 | 458.07-18       | 旋梭座橡胶塞            | Rotary hook base rubber plug                 | 1        |
| 65  | 30053439 | 458.07-01       | 针板                | Needle plate                                 | 1        |
| 66  | 30053526 | 458.14-08-01    | 模板机小针板 (1.6)      | Template machine small needle plate (1.6)    | 1        |
| 67  | 30044477 | 01-125000321-1  | 一字槽沉头螺钉M2.5×2.5   | Slotted countersunk head screw M2.5×2.5      | 2        |
| 68  | 30005252 | 01-604000821-1  | 一字槽圆柱头大薄帽螺钉M4×8   | Big & thin slotted cheese head screws M4×8   | 7        |
| 69  | 30053467 | 458.10-07       | 旋梭座盖板             | Rotary hook base cover                       | 1        |
| 70  | 30058918 | 458.07-16       | 油棉左               | Oil absorbent pad, left                      | 1        |
| 71  | 30058919 | 458.07-15       | 油棉压板              | Oil absorbent pad presser                    | 2        |
| 72  | 30058920 | 458.07-17       | 油棉右               | Oil absorbent pad, right                     | 1        |
| 73  | 30036136 | 01-505000624-3  | 内六角圆柱头螺钉M5×6      | Hexagon socket head cap screw M5×6           | 2        |
| 74  | 30028711 | 72-M-5HL-4      | 金属弯头              | Metal elbow                                  | 1        |

## 7. Main Base Assembly



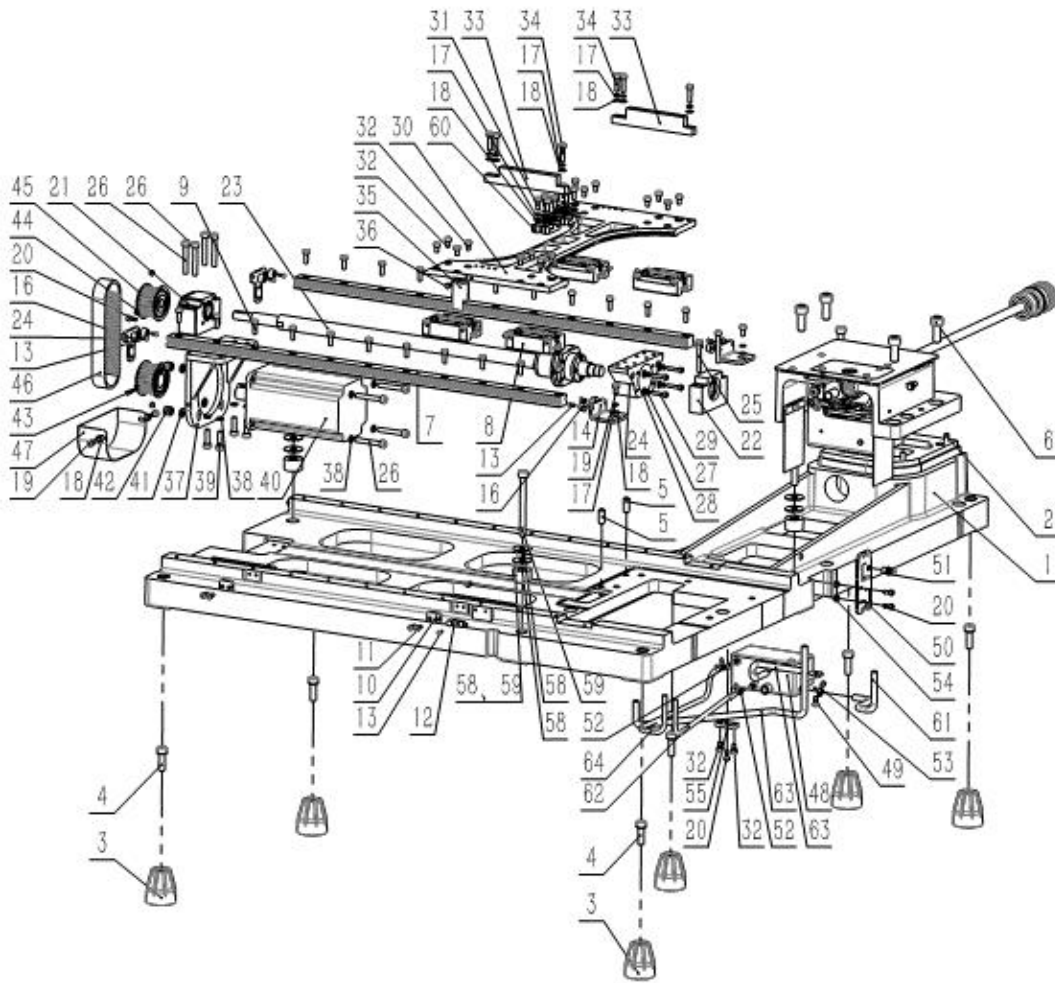


## 7. Main Base Assembly

| No. | SAP      | Part No.       | 名称              | Part Name                                      | Quantity |
|-----|----------|----------------|-----------------|--|----------|
| 1   | 20005697 | 458.09-01      | 5040底座          | 5040 Series base                               | 1        |
| 2   | 30005994 | 16-3060301-5   | 圆柱销6×30         | Round pin 6×30                                 | 3        |
| 3   | 30053421 | 458.09-50      | 锥形防震垫           | Cone-shaped anti-shock pad                     | 6        |
| 4   | 30048950 | 01-508002524-3 | 内六角圆柱头螺钉M8×25   | Hexagon socket head cap screw<br>M8×25         | 6        |
| 5   | 30057985 | 16-1080201-5   | 圆柱销φ8×20        | Round pin φ8×20                                | 2        |
| 6   | 30005220 | 01-510002524-1 | 内六角槽圆柱头螺钉M10×25 | Hexagon socket head cap screw<br>M10×25        | 4        |
| 7   | 30051317 | EGR20R620H     | 导轨              | Guiding rail                                   | 2        |
| 8   | 30051316 | EGH20CAZ0H     | 滑块              | Slide block                                    | 4        |
| 9   | 30005181 | 01-505001424-1 | 内六角圆柱头螺钉M5×14   | Hexagon socket head cap screw<br>M5×14         | 22       |
| 10  | 30053508 | 458.09-46      | Y轨道压板           | Y-direction rail pressing plate                | 2        |
| 11  | 30005155 | 01-504001024-1 | 内六角圆柱头螺钉M4×10   | Hexagon socket head cap screw<br>M4×10         | 4        |
| 12  | 30054271 | SR-TEN12-04NO  | 接近传感器TEN12-     | Proximity sensor TEN12-                        | 1        |
| 13  | 30024308 | 01-403000823-1 | 十字一字盘头螺钉M3×8    | Cross recessed/slotted pan head<br>screws M3×8 | 9        |
| 14  | 30051692 | 458.09-32      | 限位垫支架长          | Stopper racket, long                           | 2        |
| 15  | 30051693 | 458.09-33      | 限位垫支架短          | Stopper racket, short                          | 2        |
| 16  | 30053541 | 458.14-09      | 防撞垫13×10×7      | Anti-crash pad 13×10×7                         | 8        |
| 17  | 30033908 | 07-0521313-6   | 弹簧垫圈5.2×1.3×1.3 | Spring washer 5.2×1.3×1.3                      | 16       |
| 18  | 30036241 | 05-053101000-3 | 平垫片5.3×1.0×10   | Flat gasket 5.3×1.0×10                         | 18       |
| 19  | 30044610 | 01-505001024-3 | 内六角圆柱头螺钉M5×10   | Hexagon socket head cap screw<br>M5×10         | 4        |
| 20  | 30044605 | 01-504001024-3 | 内六角圆柱头螺钉M4×10   | Hexagon socket head cap screw<br>M4×10         | 7        |
| 21  | 30051313 | BK15-C7        | 固定座             | Fastening base                                 | 1        |
| 22  | 30057662 | BF15-C7        | 固定座             | Fastening base                                 | 1        |
| 23  | 30051999 | 458.09-34      | Y向丝杆螺母          | Y-direction feed screw nut                     | 1        |
| 24  | 30052013 | 458.09-37      | Y丝杆螺母固定块        | Y-direction feed screw nut fixing<br>block     | 1        |
| 25  | 30034127 | 01-505004024-1 | 内六角圆柱头螺钉M5×40   | Hexagon socket head cap screw<br>M5×40         | 2        |
| 26  | 30046401 | 01-506004024-1 | 内六角圆柱头螺钉M6×40   | Hexagon socket head cap screw<br>M6×40         | 8        |
| 27  | 30036187 | 07-0421111-6   | 弹簧垫圈4.2×1.1×1.1 | Spring washer 4.2×1.1×1.1                      | 4        |
| 28  | 30043999 | 05-042121000-3 | 平垫片4.2×1.2×10   | Flat gasket 4.2×1.2×10                         | 4        |
| 29  | 30037152 | 01-504002024-3 | 内六角圆柱头螺钉M4×20   | Hexagon socket head cap screw<br>M4×20         | 4        |
| 30  | 30052011 | 458.09-35      | Y横梁             | Y-direction beam                               | 1        |
| 31  | 30037154 | 01-505001224-3 | 内六角圆柱头螺钉M5×12   | Hexagon socket head cap screw<br>M5×12         | 8        |
| 32  | 30005175 | 01-505000824-1 | 内六角圆柱头螺钉M5×8    | Hexagon socket head cap screw                  | 18       |

|    |          |                  |                 |   |   |
|----|----------|------------------|-----------------|---|---|
|    |          |                  |                 | M5×8  |   |
| 33 | 30052012 | 458.09-36        | 横杆左右支撑座         | Horizontal bar support (left-right)             | 2 |
| 34 | 30037153 | 01-505002024-3   | 内六角圆柱头螺钉M5×20   | Hexagon socket head cap screw<br>M5×20          | 6 |
| 35 | 30053507 | 458.09-38        | Y轴感应片           | Y-axis sensor                                   | 1 |
| 36 | 30005082 | 01-404000823-1   | 十字一字槽盘头螺钉M4×8   | Cross recessed/slotted pan head<br>screws M4×8  | 2 |
| 37 | 30052021 | 458.09-41        | Y向电机安装座         | Y-direction motor mounting base                 | 1 |
| 38 | 30005770 | 07-0631616-1     | 弹簧垫圈6.3×1.6×1.6 | Spring washer 6.3×1.6×1.6                       | 8 |
| 39 | 30005202 | 01-506002024-1   | 内六角圆柱头螺钉M6×20   | Hexagon socket head cap screw<br>M6×20          | 4 |
| 40 | 30052918 | 80ASF-MO7530-004 | Y向伺服电机          | Y-direction servo motor                         | 1 |
| 41 | 30005684 | 05-064161200-1   | 平垫片6.4×1.6×12   | Flat gasket 6.4×1.6×12                          | 4 |
| 42 | 30053562 | 03-606001000-3   | 六角螺母M6×10       | Hexagon nut M6×10                               | 4 |
| 43 | 30051695 | 458.09-40        | Y电机同步带轮         | Y-direction motor timing belt<br>wheel          | 1 |
| 44 | 30005333 | 01-806000614-1   | 内六角凹端紧定螺钉M6×6   | Hexagon socket set screw with cup<br>point M6×6 | 4 |
| 45 | 30051694 | 458.09-39        | Y丝杆同步带轮         | Y-direction lead screw timing belt<br>wheel     | 1 |
| 46 | 30053540 | 350-HTD5M-20     | 5M同步带           | 5M Timing belt                                  | 1 |

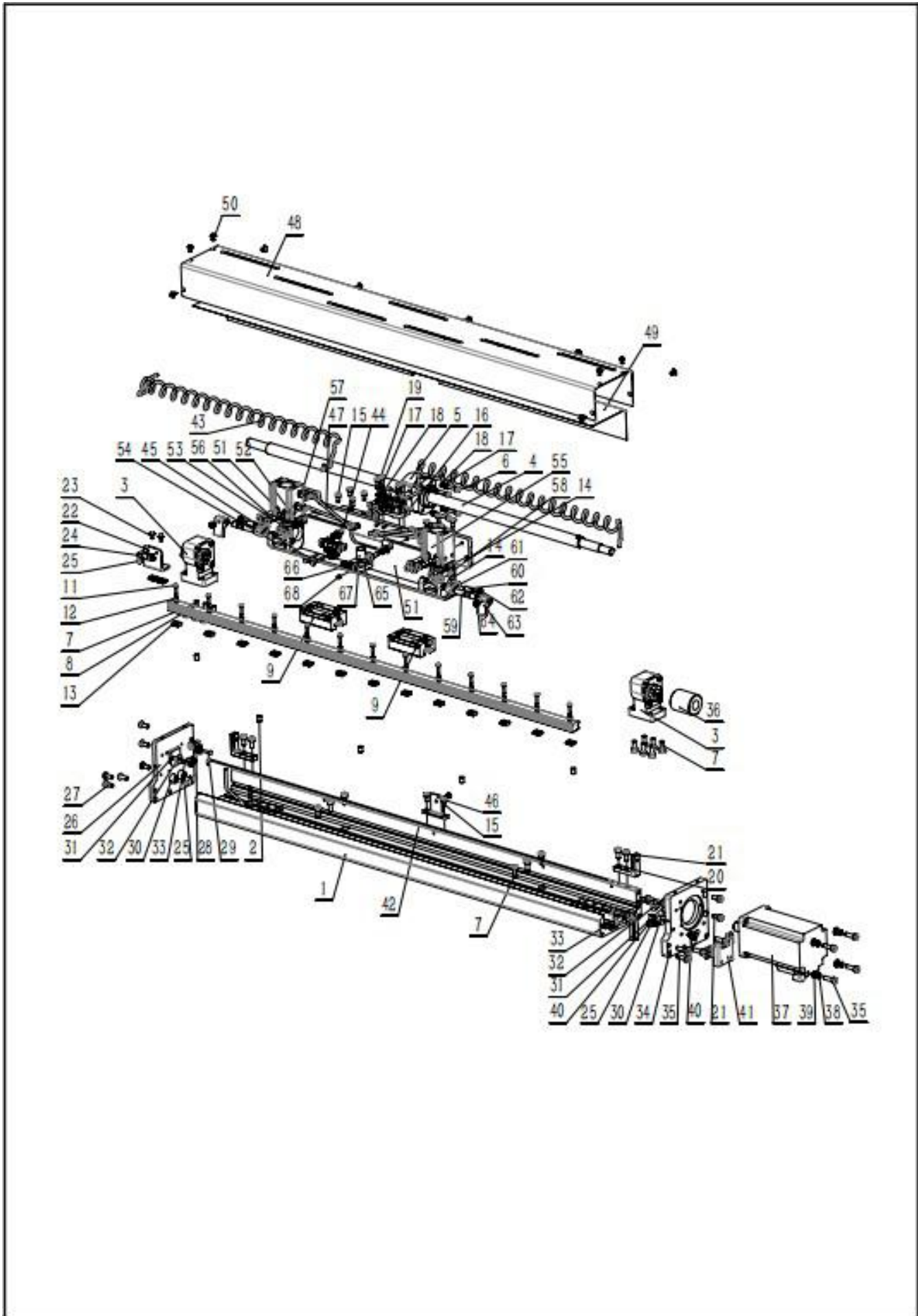
## 7. Main Base Assembly



## 7. Main Base Assembly

| No. | SAP      | Part No.        | 名称            | Part Name                                    | Quantity |
|-----|----------|-----------------|---------------|--|----------|
| 47  | 20005334 | 458.09-48       | Y向电机罩         | Y-direction Motor shield                     | 1        |
| 48  | 30007748 | 103.08-36       | 油箱组件          | Oil tank assy.                               | 1        |
| 49  | 30005106 | 01-405001023-1  | 十字一字盘头螺钉M5×10 | Cross recessed/slotted pan head screws M5×10 | 2        |
| 50  | 30053506 | 458.09-19       | 油量视察板         | Oil level gauge                              | 1        |
| 51  | 30007563 | 103.08-34       | 供油口           | Oil supply port                              | 1        |
| 52  | 30046071 | 133.09-01       | 油管夹           | Oil pipe clamp                               | 2        |
| 53  | 30006475 | 103.08-36-01-09 | 油管夹           | Oil pipe clamp                               | 1        |
| 54  | 30005573 | 03-605000450-3  | 六角螺母M5×4.5    | Hexagon nut M5×4.5                           | 2        |
| 55  | 30060044 | 458.09-75       | 油量调节压板        | Oil-adjusting plate                          | 1        |
| 56  | 30023282 | 331.20-17       | 橡胶套           | Rubber bush                                  | 4        |
| 57  | 30001108 | 311.20-16       | 内套            | Inner bush                                   | 4        |
| 58  | 30006723 | 311.20-15       | 垫片            | Gasket                                       | 8        |
| 59  | 30053732 | 01-508008524-3  | 内六角圆柱头螺钉M8×85 | Hexagon socket head cap screw M8×85          | 4        |
| 60  | 30100789 | 458.09-76       | Y轴丝杆限位块       | Y-axis lead screw stopper                    | 4        |
| 61  | 30007567 | 103.08-36-1-4A  | 油管            | Oil tube                                     | 0.7      |
| 62  | 30007565 | 103.08-36-1-2A  | 油管            | Oil tube                                     | 0.7      |

## 8. Horizontal Bar (X-axis) Assembly

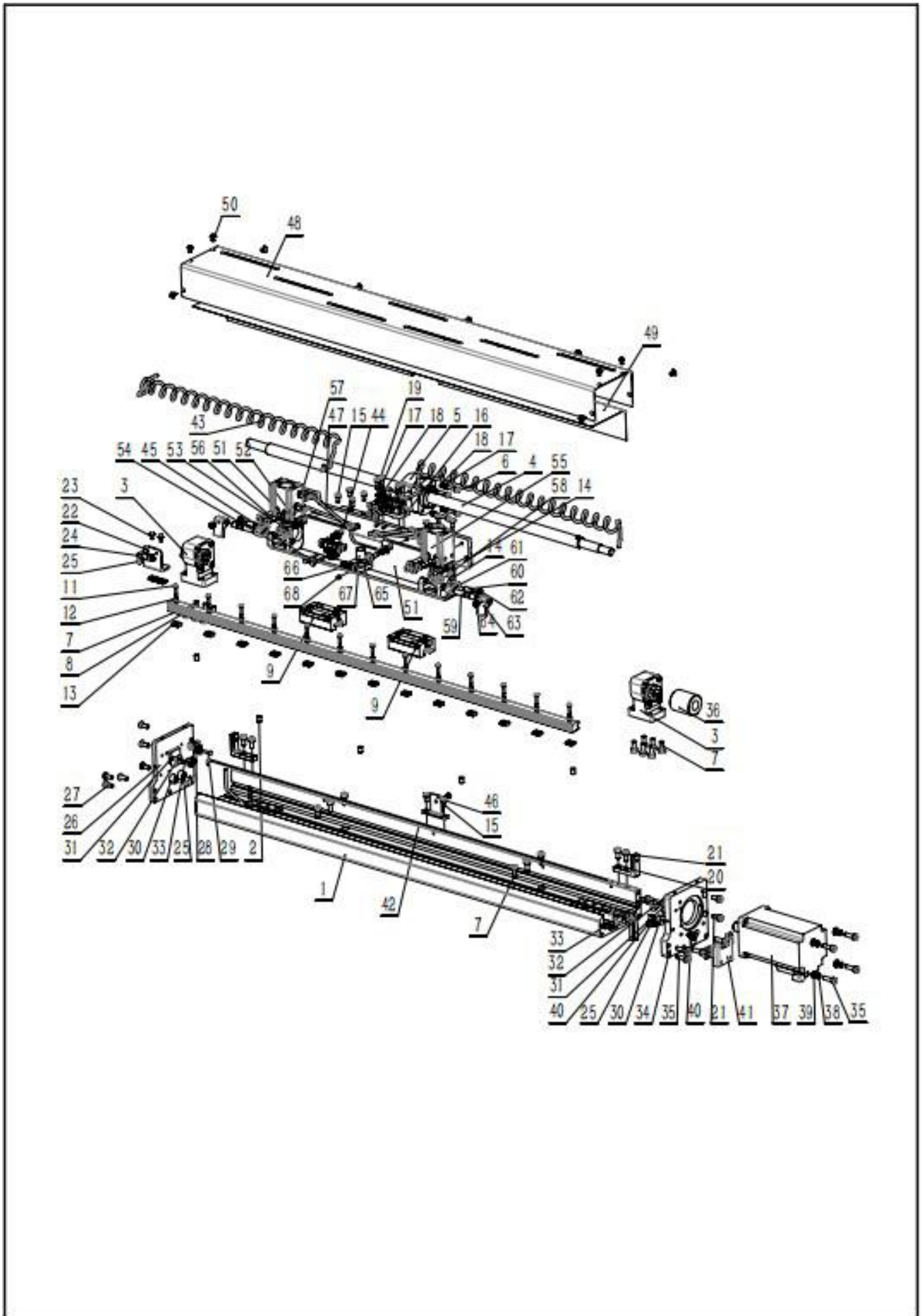


## 8. Horizontal Bar (X-axis) Assembly

| No. | SAP      | Part No.       | 名称                                 | Part Name  | Quantity |
|-----|----------|----------------|------------------------------------|--|----------|
| 1   | 30062107 | 458.08-70      | X横杆                                | Horizontal bar (X-axis)                                    | 1        |
| 2   | 30053548 | 16-1060081-5   | 圆柱销Φ6×8                            | Round pin φ6×8   | 5        |
| 3   | 30053873 | 458.08-10-00   | X丝杆固定座（配螺帽）                        | X-direction lead screw fastener<br>(with nut)              | 2        |
| 4   | 30051691 | 458.08-41      | X轴丝杆螺母                             | X-direction feed screw nut                                 | 1        |
| 5   | 30053454 | 458.08-30      | X丝杆螺母安装块                           | X-direction feed screw nut<br>mounting block               | 1        |
| 6   | 30005161 | 01-504001624-1 | 内六角圆柱头螺钉M4×16                      | Hexagon socket head cap screw<br>M4×16                     | 4        |
| 7   | 30037154 | 01-505001224-3 | 内六角圆柱头螺钉M5×12                      | Hexagon socket head cap screw<br>M5×12                     | 18       |
| 8   | 30053538 | QER15R739H     | 导轨                                 | Guiding rail   | 1        |
| 9   | 30051319 | QEH15CAZ0H     | 滑块                                 | Slide block  | 2        |
| 10  | 30041933 | 01-503001224-1 | 内六角圆柱头螺钉M3×12                      | Hexagon socket head cap screw<br>M3×12                     | 13       |
| 11  | 30032311 | 07-0310808-1   | 弹簧垫圈3.1×0.8×0.8                    | Spring washer 3.1×0.8×0.8                                  | 13       |
| 12  | 30053561 | 458.14-17      | 滑块螺母M3 10×10（欧标20系列）               | Slide block nut M3 10×10 (EN 20)                           | 15       |
| 13  | 30058923 | 458.08-73      | X滑块连接板                             | X-direction slide block jointer                            | 1        |
| 14  | 30005153 | 01-504000824-1 | 内六角圆柱头螺钉M4×8                       | Hexagon socket head cap screw<br>M4×8                      | 10       |
| 15  | 30053447 | 458.08-08      | 螺母与轨道连接块                           | Nut-rail jointer   | 1        |
| 16  | 30005762 | 07-0421111-1   | 弹簧垫圈4.2×1.1×1.1                    | Spring washer 4.2×1.1×1.1                                  | 12       |
| 17  | 30005632 | 05-043100700-1 | 平垫片4.3×1×7                         | Flat gasket 4.3×1×7  | 12       |
| 18  | 30005157 | 01-504001224-1 | 内六角圆柱头螺钉M4×12                      | Hexagon socket head cap screw<br>M4×12                     | 8        |
| 19  | 30053448 | 458.08-09      | 左右支撑三角块                            | Triangle support (left-right)                              | 2        |
| 20  | 30005178 | 01-505001024-1 | 内六角圆柱头螺钉M5×10                      | Hexagon socket head cap screw<br>M5×10                     | 6        |
| 21  | 30058689 | 458.08-51      | X轴感应器安装块                           | X-axis sensor mounting block                               | 1        |
| 22  | 30005999 | 18-403000823-3 | 十字一字盘头三件套组合螺钉M3×8                  | Cross recessed/slotted pan head<br>3-in-1 screw assy. M3×8 | 2        |
| 23  | 30054271 | SR-TEN12-04NO  | 接近传感器<br>TEN12-04NO(MEIJDENKI)0.5M | Proximity sensor TEN12-04NO<br>(MEIJDENKI) 0.5M            | 1        |
| 24  | 30024308 | 01-403000823-1 | 十字一字小盘头螺钉M3×8                      | Cross recessed/slotted small pan<br>head screws M3×8       | 4        |
| 25  | 30053461 | 458.08-50      | 横杆左盖板                              | Horizontal bar left cover                                  | 1        |
| 26  | 30036141 | 01-305001224-3 | 内六角平圆头螺钉M5×12                      | Hexagon socket flat round head<br>screw M5×12              | 6        |
| 27  | 30053535 | PV4            | 亚德客弯头                              | Airtac elbow   | 1        |
| 28  | 30006097 | 01-403001622-3 | 十字槽盘头螺钉M3×16                       | Slotted pan head screws M3×16                              | 1        |
| 29  | 30053541 | 458.14-09      | 防撞垫13×10×7                         | Anti-crash pad 13×10×7                                     | 3        |
| 30  | 30062106 | 458.08-72      | X压线板                               | X-direction tension disc                                   | 2        |
| 31  | 30004038 | 203.19-02      | 过线管夹                               | Thread guide tube clamp                                    | 2        |

|    |          |                       |                        |   |     |
|----|----------|-----------------------|------------------------|---|-----|
| 32 | 30005155 | 01-504001024-1        | 内六角圆柱头螺钉M4×10          | Hexagon socket head cap screw<br>M4×10                      | 2   |
| 33 | 30053460 | 458.08-49             | 横杆右盖板                  | Horizontal bar right cover                                  | 1   |
| 34 | 30037155 | 01-505001624-3        | 内六角圆柱头螺钉M5×16          | Hexagon socket head cap screw<br>M5×16                      | 8   |
| 35 | 30053553 | 458.14-18             | 梅花联轴器φ10-φ14-30-35     | Plum coupling φ10-φ14-30-35                                 | 1   |
| 36 | 30050155 | 60LSF-MO4030-019<br>A | 伺服电机                   | Servo motor   | 1   |
| 37 | 30033908 | 07-0521313-6          | 弹簧垫圈5.2×1.3×1.3        | Spring washer 5.2×1.3×1.3                                   | 4   |
| 38 | 30036241 | 05-053101000-3        | 平垫片5.3×1×10            | Flat gasket 5.3×1×10  | 4   |
| 39 | 30028711 | 72-M-5HL-4            | 金属弯头                   | Metal elbow   | 2   |
| 40 | 30058690 | 458.08-32             | X线束上固定块                | X-direction wire harness upper<br>fixing block              | 1   |
| 41 | 30053549 | 458.14-19             | 包塑钢丝φ1.5mm             | Plastic-coated steel wire φ1.5mm                            | 1   |
| 42 | 30051322 | 458.14-20             | 伸缩气管φ4                 | Flexible air tube φ4  | 1   |
| 43 | 30053536 | PE4                   | T型三通接头                 | T-connector   | 2   |
| 44 | 30020601 | 18-403002523-3        | 三件组合十字一字槽盘头螺钉<br>M3×25 | Cross recessed/slotted pan head<br>3-in-1 screw assy. M3×25 | 2   |
| 45 | 30053499 | 458.08-07             | 横杆盖板支撑块                | Horizontal rod cover support                                | 1   |
| 46 | 30045574 | φ4×2.5                | PU气管透明蓝                | PU air tube, transparent, blue                              | 2.4 |

## 8. Horizontal Bar (X-axis) Assembly

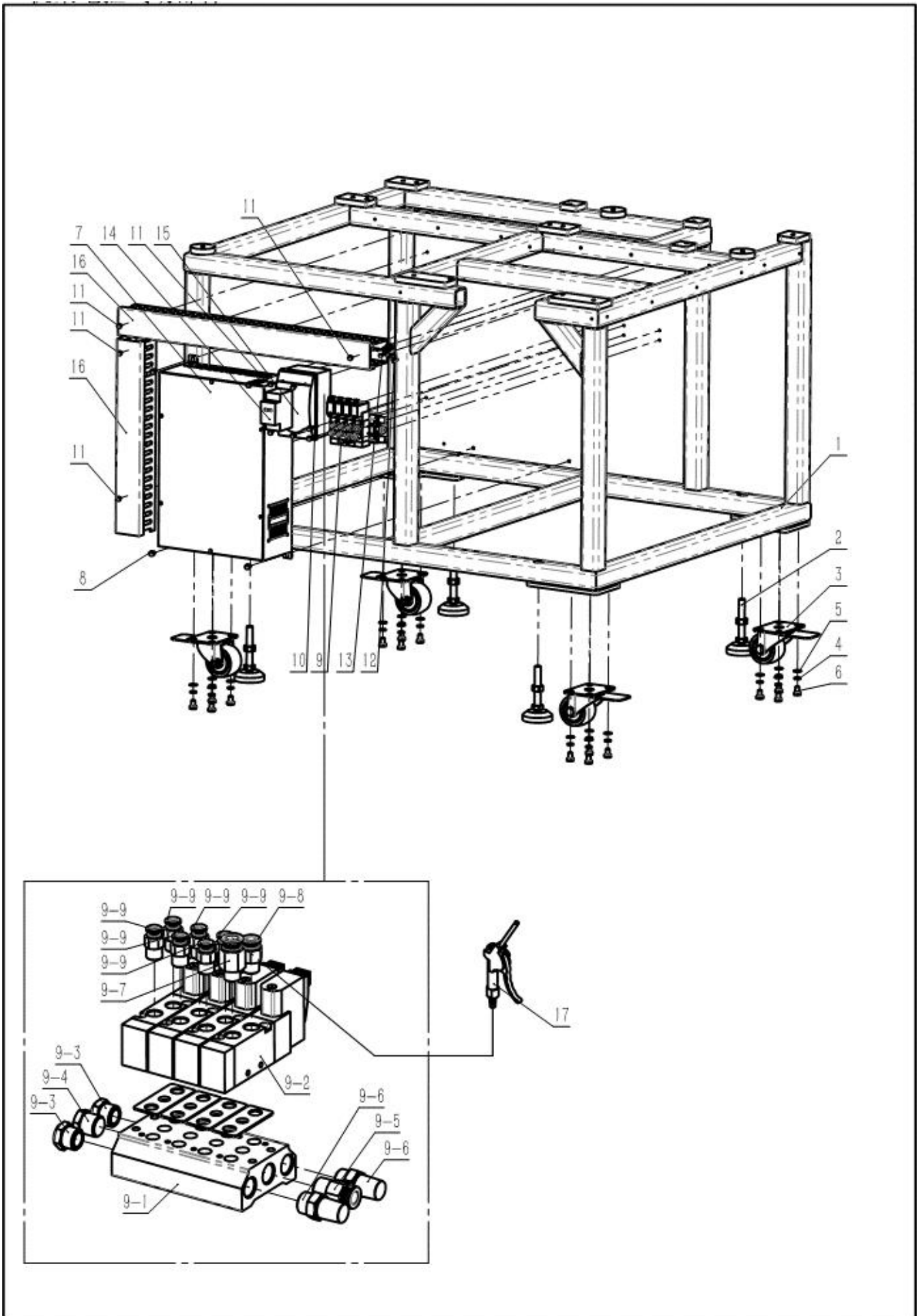




## 8. Horizontal Bar (X-axis) Assembly

| No. | SAP      | Part No.       | 名称              | Part Name                                    | Quantity |
|-----|----------|----------------|-----------------|--|----------|
| 47  | 20005315 | 458.08-04      | 横杆盖板            | Horizontal rod cover                         | 1        |
| 48  | 30060057 | 458.14-35      | 横杆盖板防尘网         | Horizontal rod cover dust screen             | 1        |
| 49  | 30036125 | 01-304000624-3 | 平圆头内六角螺钉M4×6    | Hexagon socket flat round head screw M4×6    | 12       |
| 50  | 30058829 | 458.08-76      | 压框下托板           | Frame presser supporting plate               | 1        |
| 51  | 30033908 | 07-0521313-6   | 弹簧垫圈5.2×1.3×1.3 | Spring washer 5.2×1.3×1.3                    | 8        |
| 52  | 30036241 | 05-053101000-3 | 平垫片 5.3×1.0×10  | Flat gasket 5.3×1.0×10                       | 8        |
| 53  | 30037154 | 01-505001224-3 | 内六角圆柱头螺钉M5×12   | Hexagon socket head cap screw M5×12          | 8        |
| 54  | 30058828 | 458.08-52      | 夹模安装座           | Template fixture mounting base               | 2        |
| 55  | 30043484 | 71-MD20×10     | 气缸              | Cylinder                                     | 2        |
| 56  | 30045214 | 01-505002524-3 | 内六角槽圆柱头螺钉M5×25  | Hexagon socket head cap screw M5×25          | 4        |
| 57  | 30048299 | PC4-M5         | 气管接头            | Air tube connector                           | 4        |
| 58  | 30000853 | 210.27-15      | 滑杆              | Sliding bar                                  | 2        |
| 59  | 30058133 | 458.08-64      | 摆动销             | Swing pin                                    | 2        |
| 60  | 30000508 | 210.27-16      | 切刀连杆销           | Cutter link lever pin                        | 2        |
| 61  | 30001970 | 246.27-17      | 切刀连杆            | Cutter link lever                            | 2        |
| 62  | 30022606 | 210.27-18A     | 切刀连杆销螺钉         | Cutter link lever pin screw                  | 2        |
| 63  | 30058134 | 458.08-65      | 扣爪              | Fastener                                     | 2        |
| 64  | 30005078 | 01-404000623-1 | 十字一字盘头螺钉M4×6    | Cross recessed/slotted pan head screws M4×6  | 2        |
| 65  | 30058830 | 458.08-53      | 定位柱安装块          | Location column mounting block               | 1        |
| 66  | 30044604 | 01-504000624-3 | 内六角圆柱头螺钉M4×6    | Hexagon socket head cap screw M4×6           | 2        |
| 67  | 30058135 | 458.08-66      | 模板定位柱           | Template location column                     | 1        |
| 68  | 30005299 | 01-804000414-1 | 内六角凹端紧定螺钉M4×4   | Hexagon socket set screw with cup point M4×4 | 1        |

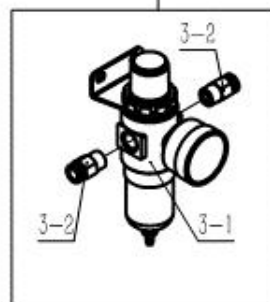
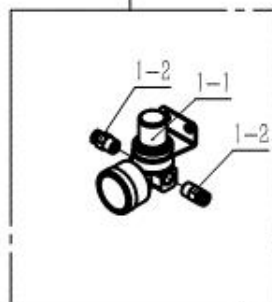
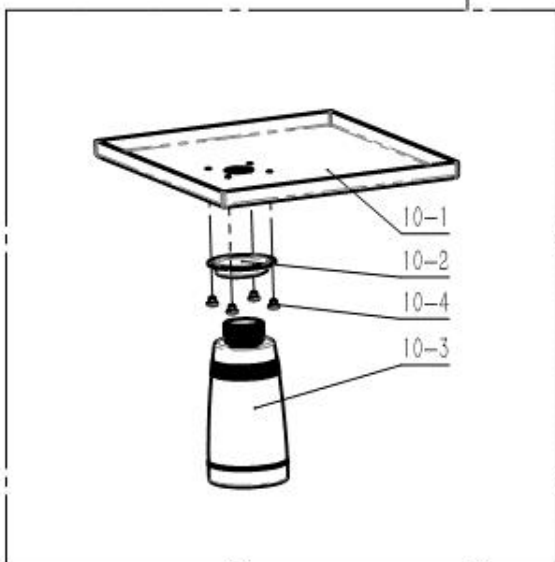
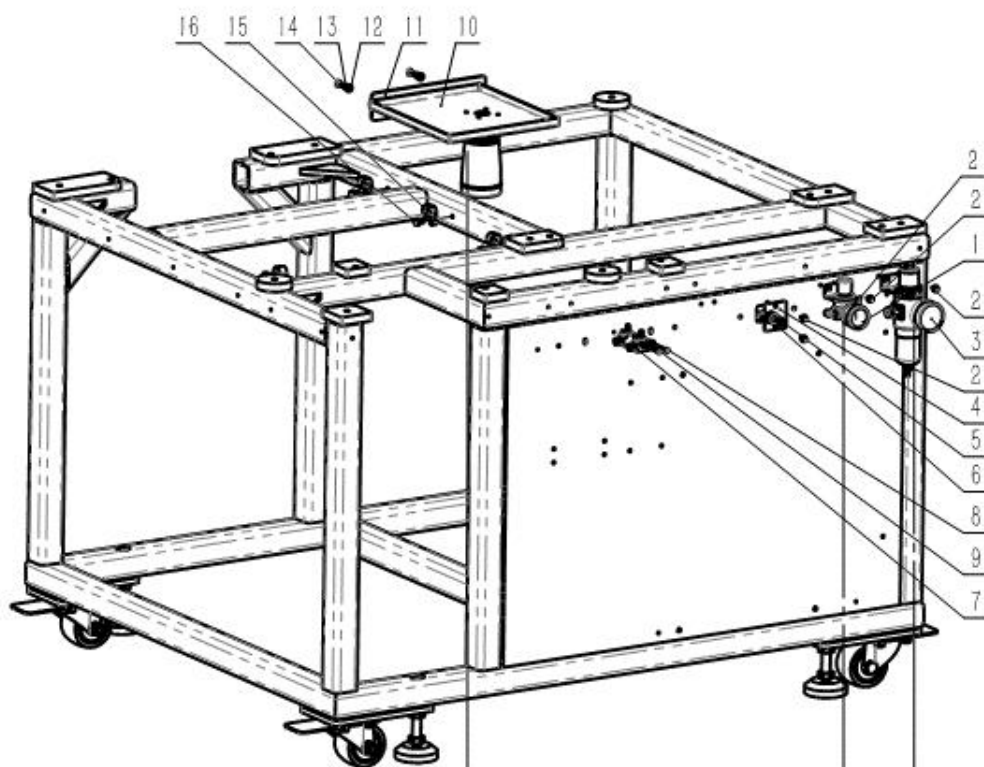
# 9. Frame Electro-pneumatic Components



## 9. Frame Electro-pneumatic Components

| 序号  | SAP      | Part No.        | 名称                  | Part Name  | Quantity |
|-----|----------|-----------------|---------------------|--|----------|
| 1   | 20005308 | 458.12-00       | 机架                  | Frame  | 1        |
| 2   | 30060528 | 458.14-42       | 关节蹄脚M12×80（底盘60）    | Support leg M12×80 (base cup 60)                         | 4        |
| 3   | 30039771 | L08-P-956808-C  | 2.5寸万向带刹车脚轮         | 2.5" Universal caster with brake                         | 4        |
| 4   | 30005773 | 07-0812121-1    | 弹簧垫圈8.1×2.1×2.1     | Spring washer 8.1×2.1×2.1                                | 16       |
| 5   | 30022532 | 05-081101550-1  | 平垫片8.1×1.0×15.5     | Flat gasket 8.1×1.0×15.5                                 | 16       |
| 6   | 30036077 | 01-708001225-6  | 无槽六角头螺钉M8×12        | Unslotted hex head screw M8×12                           | 16       |
| 7   | 30053747 | CB-41-00        | 双伺服电控AS01           | Dual servo controller AS01                               | 1        |
| 8   | 30014900 | 18-405000822-3  | 十字槽盘头三件套组合螺钉M5×8    | Cross recessed pan head 3-in-1 screw assy. M5×8          | 4        |
| 9   | 20005361 | 458.14-01       | 5040电磁阀组件（4阀）       | 5040 Series solenoid valve assy. (4 valves)              | 1        |
| 9-1 | 30050283 | 75-100M4F       | 底座                  | Base   | 1        |
| 9-2 | 30041531 | 5V11006B        | 电磁阀                 | Solenoid valve   | 4        |
| 9-3 | 30041535 | BSLM02          | 消声器                 | Silencer   | 2        |
| 9-4 | 30041536 | BZ02            | 外六角堵头               | Outer hexagon tube cap                                   | 1        |
| 9-5 | 30038914 | BPC802          | 管接头                 | Tube connector   | 1        |
| 9-6 | 30027401 | BSL02           | 亚德客消音器              | Airtac silencer  | 2        |
| 9-7 | 30038913 | BPC601          | 管接头                 | Tube connector   | 1        |
| 9-8 | 30052249 | BPC801          | 管接头                 | Tube connector   | 1        |
| 9-9 | 30038912 | BPC401          | 管接头                 | Tube connector   | 6        |
| 10  | 30006008 | 18-404002823-3  | 十字一字槽盘头三件套组合螺钉M4×28 | Cross recessed/slotted pan head 3-in-1 screw assy. M4×28 | 4        |
| 11  | 30014893 | 18-404000623-3  | 十字一字盘头三件套组合螺钉M4×6   | Cross recessed/slotted pan head 3-in-1 screw assy. M4×6  | 10       |
| 12  | 30045124 | PYW6-4          | 管接头                 | Tube connector   | 1        |
| 13  | 30006097 | 01-403001622-3  | 十字槽盘头螺钉M3×16        | Slotted pan head screws M3×16                            | 1        |
| 14  | 30057700 | 458.14-23       | 空气开关盒2-3回路          | 2-3 Circuit air switch box                               | 1        |
| 15  | 30060060 | 458.14-38       | 空气开关D16/2P          | Air switch D16/2P  | 1        |
| 16  | 30042719 | 515.30-07       | 线槽高宽：65×45          | Wire raceway, 65 (H) × 45 (W)                            | 1        |
| 17  | 30060055 | 82-VMG11W-Φ8-00 | 喷枪组件（带Φ8气管）         | Spray gun assy. (with Φ8 air tube)                       | 1        |

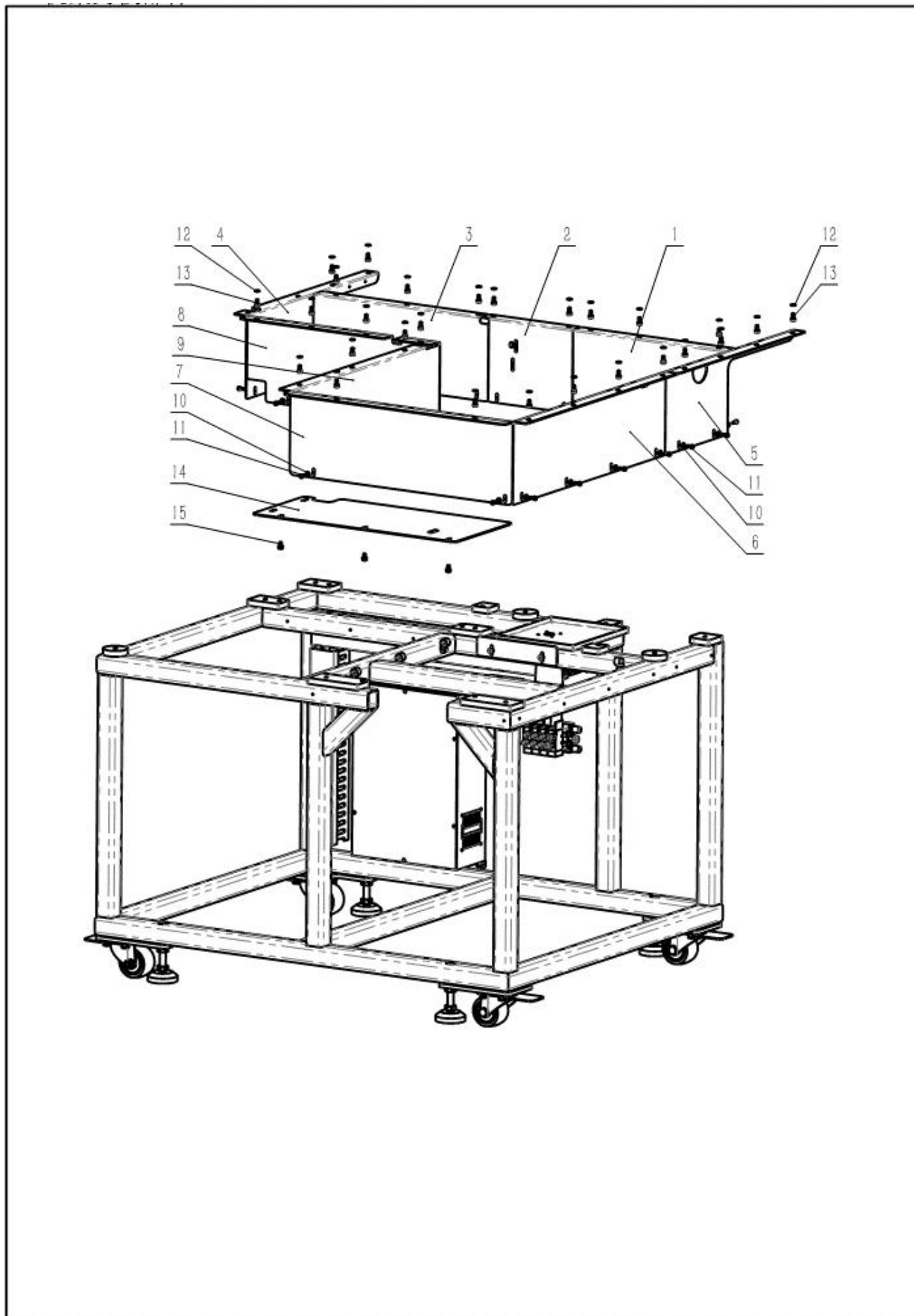
# 10. Frame Oil Pan Components



## 10. Frame Oil Pan Components

| No.  | SAP      | Part No.       | 名称                 | Part Name   | Quantity |
|------|----------|----------------|--------------------|---|----------|
| 1    | 20005363 | 458.14-04      | 小调压阀组件             | Small pressure regulating valve assy.                   | 1        |
| 1-1  | 30039220 | SDR100061      | 亚德客调压阀             | Airtac regulating valve                                 | 1        |
| 1-2  | 30038912 | BPC401         | 管接头                | Tube connector  | 2        |
| 2    | 30014893 | 18-404000623-3 | 十字一字盘头三件套组合螺钉 M4×6 | Cross recessed/slotted pan head 3-in-1 screw assy. M4×6 | 6        |
| 3    | 20005362 | 458.14-03      | 调压过滤器组件            | Pressure regulating filter assy.                        | 1        |
| 3-1  | 30052530 | AFR20001       | 亚德客调压表             | Airtac pressure meter                                   | 1        |
| 3-2  | 30038914 | BPC802         | 管接头                | Tube connector  | 2        |
| 4    | 20005638 | 458.12-20      | 机架接口盖板             | Frame connector cover                                   | 1        |
| 5    | 30060053 | GX12-4芯        | 航空插头插座（母插头）        | Aviation connector socket (female plug)                 | 1        |
| 6    | 30060054 | GX12-4         | 航空插头               | Aviation connector                                      | 1        |
| 7    | 30038909 | PSA4           | 调速阀                | Speed control valve                                     | 2        |
| 8    | 30051362 | 01-503002824-3 | 内六角槽圆柱头螺钉M3×28     | Hexagon socket head cap screw M3×28                     | 2        |
| 9    | 30005614 | 05-032050700-3 | 平垫片3.2×0.5×7       | Flat gasket 3.2×0.5×7                                   | 2        |
| 10   | 20005407 | 458.07-12-00   | 油盘组件               | Oil pan assy.   | 1        |
| 10-1 | 30058682 | 458.07-12-01   | 油盘                 | Oil pan   | 1        |
| 10-2 | 30007547 | 160.16-24      | 放油口                | Oil outlet  | 1        |
| 10-3 | 30007936 | 160.16-25      | 油壶                 | Oil bottle  | 1        |
| 10-4 | 30005248 | 01-604000421-1 | 一字槽大帽螺钉M4×4        | Big slotted head screws M4×4                            | 4        |
| 11   | 30062087 | 458.07-13      | 油盘压板               | Oil pan pressing plate                                  | 1        |
| 12   | 30036241 | 05-053101000-3 | 平垫片5.3×1.0×10      | Flat gasket 5.3×1.0×10                                  | 2        |
| 13   | 30033908 | 07-0521313-6   | 弹簧垫圈5.2×1.3×1.3    | Spring washer 5.2×1.3×1.3                               | 2        |
| 14   | 30037154 | 01-505001224-3 | 内六角槽圆柱头螺钉M5×12     | Hexagon socket head cap screw M5×12                     | 2        |
| 15   | 30008262 | 515.30-04      | 气路管夹(大)FV1 740     | Air pip clamp (large) FV1 740                           | 4        |
| 16   | 30014900 | 18-405000822-3 | 十字槽盘头三件套组合螺钉 M5×8  | Cross recessed pan head 3-in-1 screw assy. M5×8         | 4        |

## 11. Frame Sealing Plate Components



## 11. Frame Sealing Plate Components

| No. | SAP      | Part No.       | 名称                   | Part Name  | Quantity |
|-----|----------|----------------|----------------------|--|----------|
| 1   | 20005325 | 458.09-57      | 前封板1                 | Front plate 1                                      | 1        |
| 2   | 20005326 | 458.09-58      | 前封板2                 | Front plate 2                                      | 1        |
| 3   | 20005327 | 458.09-59      | 前封板3                 | Front plate 3                                      | 1        |
| 4   | 20005330 | 458.09-60      | 右封板                  | Right plate  | 1        |
| 5   | 20005329 | 458.09-62      | 左封板2                 | Left plate 2                                       | 1        |
| 6   | 20005328 | 458.09-61      | 左封板1                 | Left plate 1                                       | 1        |
| 7   | 20005331 | 458.09-28      | 后封板4                 | Rear plate 4                                       | 1        |
| 8   | 20005332 | 458.09-29      | 内侧封板1                | Inner-side plate 1                                 | 1        |
| 9   | 20005333 | 458.09-26      | 内侧封板3                | Inner-side plate 3                                 | 1        |
| 10  | 30043999 | 05-042121000-3 | 平垫片                  | Flat gasket  | 24       |
| 11  | 30044605 | 01-504001024-3 | 内六角圆柱头螺钉M4×10        | Hexagon socket head cap screw<br>M4×10             | 24       |
| 12  | 30036241 | 05-053101000-3 | 平垫片                  | Flat gasket  | 27       |
| 13  | 30044610 | 01-505001024-3 | 内六角圆柱头螺钉M5×10        | Hexagon socket head cap screw<br>M5×10             | 27       |
| 14  | 30062097 | 458.12-30      | 电控防尘板                | Electric control system dust shield                | 1        |
| 15  | 30014900 | 18-405000822-3 | 十字槽盘头三件套组合螺钉<br>M5×8 | Cross recessed pan head 3-in-1<br>screw assy. M5×8 | 3        |



富山IoT



微信公众号



抖音官方号

## 上海富山精密机械科技有限公司

HIKARI (SHANGHAI) PRECISE MACHINERY SCIENCE AND TECHNOLOGY CO., LTD

邮箱/E-mail: hikari@chinahikari.com

网址/Web: www.chinahikari.com

传真/Fax: (00)86-21-67311311

电话/Tel: (00)86-21-67311111 ( 转外贸部/ext .Foreign Trade Dept )

上海市金山区朱泾镇工业园区中达路800号

NO.800, ZHONGDA ROAD, ZHUJING INDUSTRIAL ZONE,

JINSHAN DISTRICT, SHANGHAI CHINA



QUANTITY ATTESTATION  
ISO9001质量体系认证